

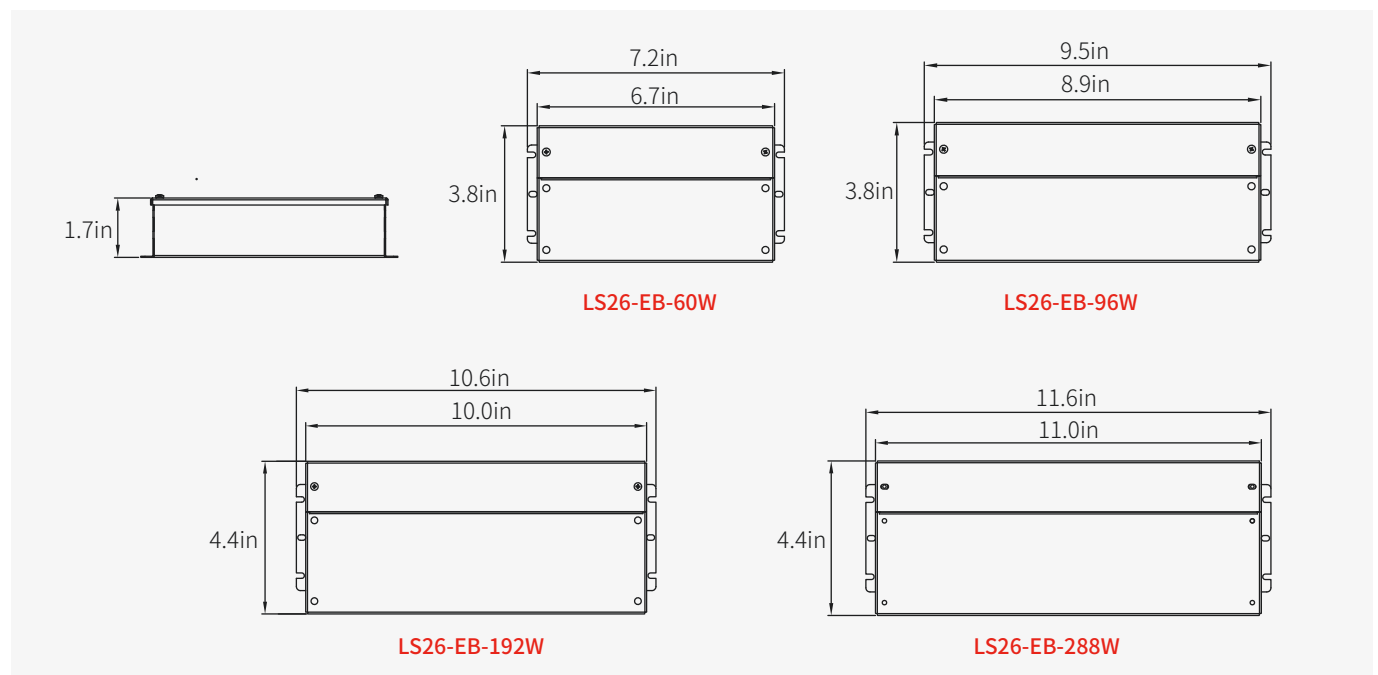
# LED Driver

## Features

- 24V DC constant voltage hardwire driver
- Phase dimming compatible with MLV, ELV, TRIAC dimmers
- Short circuit, over-voltage, over-temperature, and overload protections
- Forward phase and reverse phase compatible
- Slim, compact aluminum housing
- cULus Listed damp location rated
- Class 2, Class P, Type HL
- FCC Compliant



## Dimension



## Specification

Catalog Number	Size	Input Voltage (V)	Watt	Output Circuit Qty (load)	Min Load (W)	Max Load (W)	Output Voltage (V)	Output Current (A)	Input Current (A)	PF
LS26-EB-60W	7.2*3.8*1.7	120-277VAC	60	1	6.0	60	24VDC	2.5	0.7	≥0.9
LS26-EB-96W	9.5*3.8*1.7	120-277VAC	96	1	9.6	96	24VDC	4	1.2	≥0.9
LS26-EB-192W	10.6*4.4*1.7	120-277VAC	2*96	2	19.2	192	2*24VDC	2*4	2.4	≥0.9
LS26-EB-288W	11.6*4.4*1.7	120-277VAC	3*96	3	28.8	288	3*24VDC	3*4	3.6	≥0.9