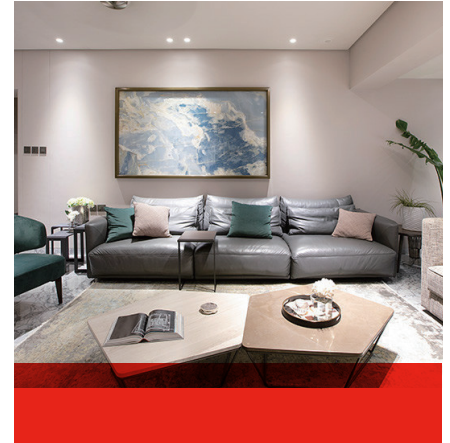


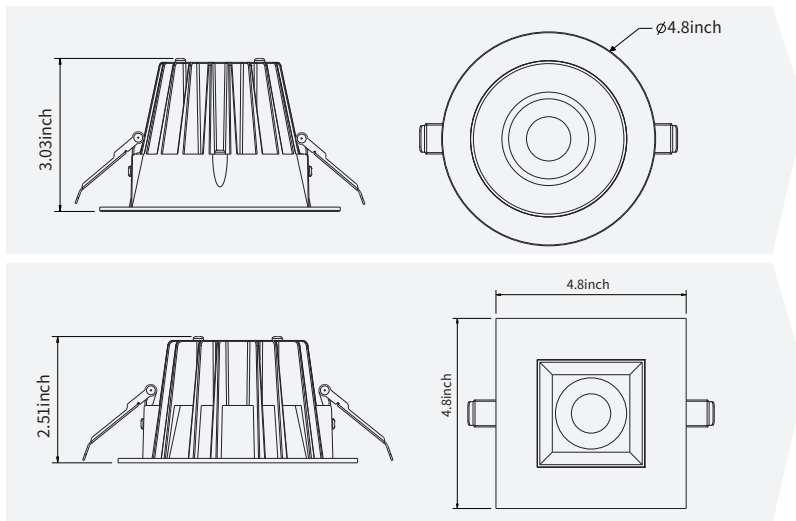
4" Anti-Glare Recessed Downlight 3CCT

Features

- 3000K, 4000K, 5000K 3CCT selectable.
- Junction box is included, install directly in Insulated ceilings (IC) without any thermal housing.
- Triac/ELV dimming, can be dim down to 10% smoothly.
- Suitable for damp locations.
- ETL, Energy Star, Title 24 JA8 approved.
- 50000hrs long lifetime.



Dimension



LS2-CS-4"R/S-3CCT
LS2-CS-4"R/S-3CCT-BL

LS2-CS-4"R/BF-3CCT
LS2-CS-4"R/BF-3CCT-BL



LS2-CS-4"SQ/S-3CCT
LS2-CS-4"SQ/S-3CCT-BL

LS2-CS-4"SQ/BF-3CCT
LS2-CS-4"SQ/BF-3CCT-BL

Specification

Catalog Number	Size	Input Voltage (V)	Lamp Watt (W)	Efficacy (Lumen/watt)	Lumen Output (lm)	CCT (K)	CRI	Life Time (Hrs)
LS2-CS-4"R/S-3CCT	4 INCH	120V	15	80	1200-1300	3000/4000/5000	≥90	36000
LS2-CS-4"R/BF-3CCT	4 INCH	120V	15	80	1200-1300	3000/4000/5000	≥90	36000
LS2-CS-4"R/S-3CCT-BL	4 INCH	120V	15	75	1100-1300	3000/4000/5000	≥90	36000
LS2-CS-4"R/BF-3CCT-BL	4 INCH	120V	15	75	1100-1300	3000/4000/5000	≥90	36000
LS2-CS-4"SQ/S-3CCT	4 INCH	120V	15	75	1100-1200	3000/4000/5000	≥90	36000
LS2-CS-4"SQ/BF-3CCT	4 INCH	120V	15	75	1100-1200	3000/4000/5000	≥90	36000
LS2-CS-4"SQ/S-3CCT-BL	4 INCH	120V	15	70	1000-1100	3000/4000/5000	≥90	36000
LS2-CS-4"SQ/BF-3CCT-BL	4 INCH	120V	15	70	1000-1100	3000/4000/5000	≥90	36000

**BL=Matt Black Trim