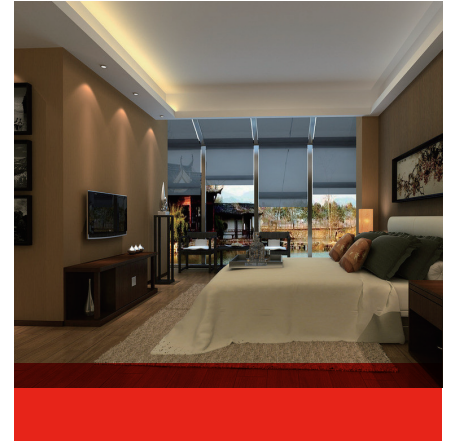


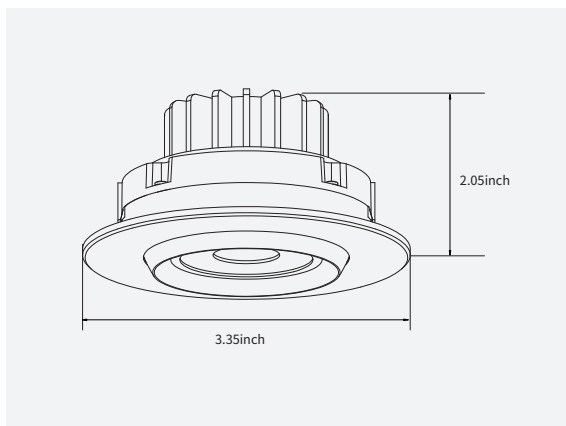
3" Anti-Glare LED Gimbal Downlight

Features

- Junction box is included, install directly in Insulated ceilings (IC) without any thermal housing.
- Triac/ELV dimming, can be dim down to 10% smoothly.
- Suitable for damp locations.
- ETL, Energy Star, Title 24 JA8 approved.
- 50000hrs long lifetime.



Dimension



LS2-CS-3"G-3K
LS2-CS-3"G-4K
LS2-CS-3"G-5K



LS2-CS-3"G-3K-BL
LS2-CS-3"G-4K-BL
LS2-CS-3"G-5K-BL

Specification

Catalog Number	Size	Input Voltage (V)	Lamp Watt (W)	Efficacy (Lumen/watt)	Lumen Output (lm)	CCT (K)	CRI	Life Time (Hrs)
LS2-CS-3"G-3K	3 INCH	120V	7	78	550	3000	≥90	36000
LS2-CS-3"G-4K	3 INCH	120V	7	85	600	4000	≥90	36000
LS2-CS-3"G-5K	3 INCH	120V	7	85	600	5000	≥90	36000
LS2-CS-3"G-3K-BL	3 INCH	120V	7	70	500	3000	≥90	36000
LS2-CS-3"G-4K-BL	3 INCH	120V	7	78	550	4000	≥90	36000
LS2-CS-3"G-5K-BL	3 INCH	120V	7	78	550	5000	≥90	36000

**BL=Matt Black Trim

