

# LED High Bay

## Features

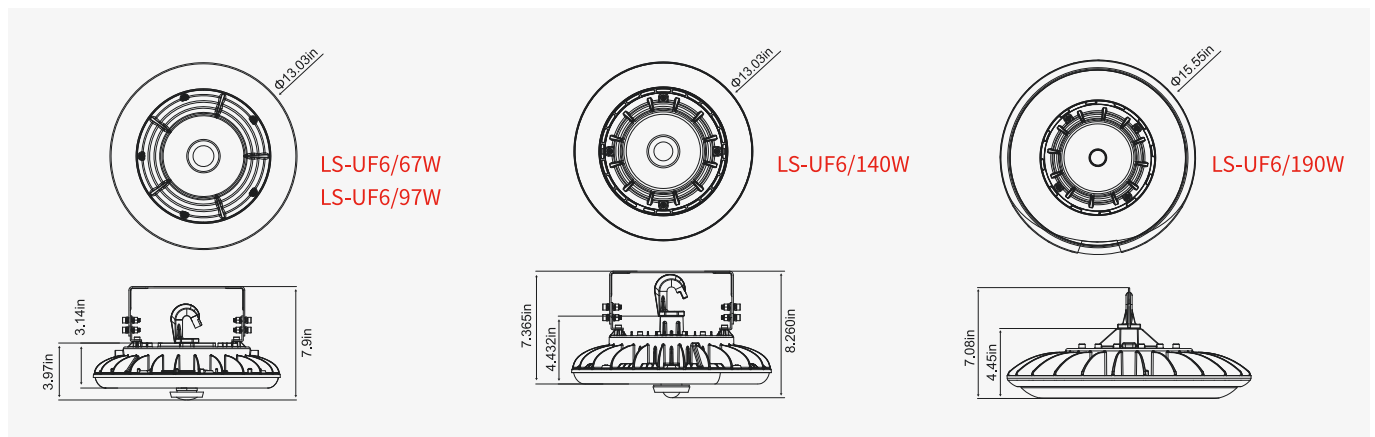
- UL,wet locations rated,DLC approved.
- Sealed die-casting profile for indoor and outdoor applications.
- Best choice for replacing 250W MH and 400W MH.
- Universal voltage 120-277V.
- Increase energy savings with bi-level motion sensor.
- 5 years warranty.
- Operating temperature is -40°C to 50°C(-40°F to 122°F).
- Hook mount, pendant mount and surface mount available.

## Applications

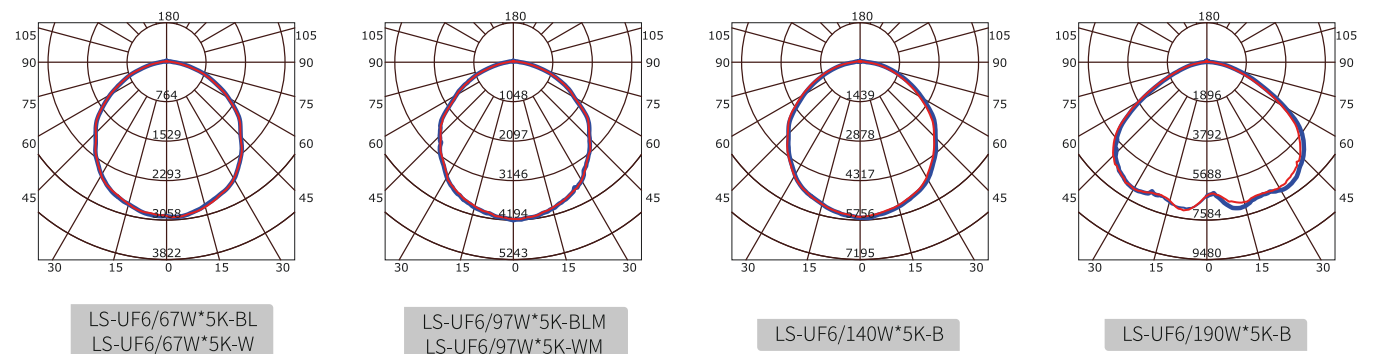
- Great for replacing existing HID, T5 or T8 high bay or low bay lighting Perfect for hard-to-reach places
- Indoor/Outdoor lighting
- Great for gymnasiums, factories, warehouse, workshops, stadiums/arenas, big box retail, supermarkets, exhibition center and other commercial applications



## Dimension



## Photometric



# LED High Bay

## Specification

Catalog Number	Size (inch)	Input Voltage (V)	Lamp Watt (W)	Efficacy (Lumen/watt)	Lumen Output (lm)	CCT (K)	CRI	Life Time (Hrs)
LS-UF6/67W*5K-BL	13.03X5.85IN	120-277VAC	67	136	9100	5000	>80	50,000
LS-UF6/67W*5K-W	13.03X5.85IN	120-277VAC	67	136	9100	5000	>80	50,000
LS-UF6/97W*5K-BLM	13.03X5.85IN	120-277VAC	97	127	12300	5000	>80	50,000
LS-UF6/97W*5K-WM	13.03X5.85IN	120-277VAC	97	127	12300	5000	>80	50,000
LS-UF6/140W*5K-BM	13.03X7.365IN	120-277VAC	140	125	17500	5000	>80	50,000
LS-UF6/190W*5K/BM	15.55X7.08IN	120-277VAC	190	126	24000	5000	>80	50,000

\*\*For Emergency and Sensor, please refer to Accessories.





LS-UF6/67W\*5K-BL  
LS-UF6/97W\*5K-BLM



LS-UF6/140W\*5K-BM



LS-UF6/190W\*5K/BM



LS-UF6/67W\*5K-W  
LS-UF6/97W\*5K-WM

### ACCESSORIES

 <p>1</p>	 <p>2</p>	 <p>3</p>	 <p>4</p>
<p><b>LS-HBi*PIR</b></p> <p>-Motion Sensor -Integrated motion sensor available for on/off and dimming control for maximum energy savings.</p>	<p><b>LS-RC100</b></p> <p>-Remote control for dimming sensor -Power:2*AAA 1.5V batteries</p>	<p><b>LS-EMB8W/90-2 For 67W/140W LS-EMB8W/90-3 For 97W/190W</b></p> <p>-Emergency Box -Emergency battery pack would provide the necessary brightness in emergency situations. -Applicable ambient temperature is 10°C(50°F) to 40°C(104°F).</p>	<p><b>LS-UBL*6</b></p> <p>-U-bracket -Use for surface mounting application. -Avialable to adjust the angle of MHB06 to control the direction of irradiation.</p>