

LED 4FT T8 Tube

Features

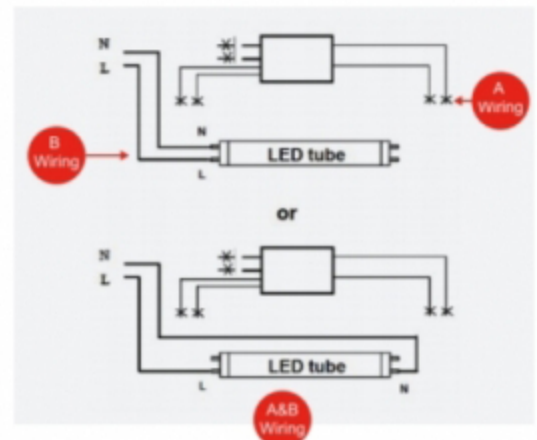
- UL, damp locations rated. DLC approved.
- 50,000 hour life (L70), 180° Beam angle.
- Glass with filming, shatterproof.
- Instant-on and off.
- Uniform light distribution.
- Fits into existing strip fixtures.
- Type B and Type A/B (AMB with ballast refer to the compatibility list, without ballast, single & double end) available.
- 5-year limited warranty.
- Great for offices, factories, warehouses, workshops, supermarkets, airports, and other commercial applications.



Dimension



Wiring Diagram



Specification

Catalog Number	Size	Input Voltage (V)	Lamp Watt (W)	Efficacy (Lumen/watt)	Lumen Output (lm)	CCT (K)	CRI	Life Time (Hrs)	Wiring
LS2-T8/4K	4FT	120-277VAC	18	129	2300	4000	>80	50,000	B
LS2-T8/5K	4FT	120-277VAC	18	129	2300	5000	>80	50,000	B
LS2-T8/3K	4FT	120-277VAC	18	129	2300	3000	>80	50,000	B
LS2-T8/4K/AB	4FT	120-277VAC	15	146	2300	4000	>80	50,000	A&B
LS2-T8/5K/AB	4FT	120-277VAC	15	146	2300	5000	>80	50,000	A&B
LS2-T8/3K/AB	4FT	120-277VAC	15	146	2300	3000	>80	50,000	A&B

