

Project: _____

Fixture Type: _____

Location: _____

Contact/Phone: _____

LS-L-411-EN-5CCT

4" LED Gimbal Retrofit 3 CCT Kit



The LSL-411EN-5CCT is 4 inch LED Retrofit Kit with Gimbal. This LED retrofit is CCT adjustable. It is compatible with most of 4 inch standard recessed new construction and remodel housings. The Retrofit Kit comes with a E26 medium screw-base Edison adaptor for easy installation into standard incandescent sockets.

DESCRIPTION

- Conduit quick-connect connectors facilitate installation.
- Use select 3 kinds of CCT with a switch on the driver.
- Diecast aluminum heatsink dissipates heat from the LED board.
- 3 Tension clips pre-installed on unit for easy installation.
- Gimbal can be rotated 22 degrees vertically and 355 degrees horizontally.
- E26 medium screw-base Edison adaptor provides easy installation into Incandescent housings.
(GU10 and GU24 socket adaptor available - sold separately)

LED LIGHT ENGINE

- Protected LED driver performs at 120V.
- Dimming down to 10% with most dimmers.
- Available in CCT 2700K, 3000K, 3500K 4000K ,5000K
- CRI ≥80 or ≥90
- Long life LED chips guaranteed up to 50,000 hours.

WARRANTY

Guaranteed five years from the purchase date of the product, against mechanical defects in manufacturing.

LISTINGS

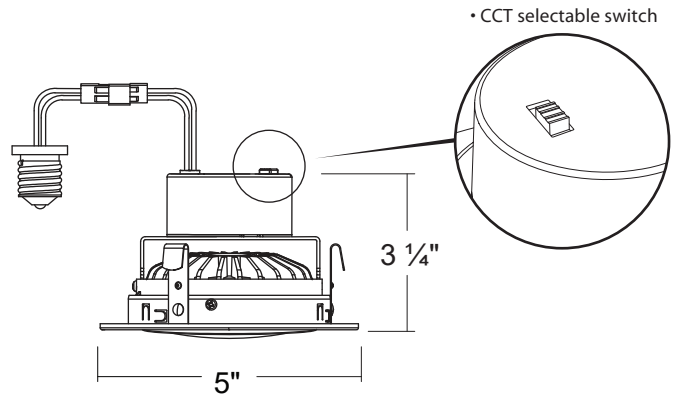
- cULus classified
- Energy star qualified
- Damp locations
- RoHS compliances
- Tested in accordance with IESNA LM79 & LM80

PERFORMANCE DATA

Input Voltage	120V		
Input Power	8W		
Frequency	50 / 60Hz		
CRI	90		
T Ambient	-30°C ~40°C (-22°F ~104°F)		
CCT	3000 K	4000 K	5000 K
Lumens	700 lm	780 lm	770 lm

(all values at 25°C without a dimming control in circuit)

DIMENSIONS



PRODUCT CODES

Model NO.	Description
LSL-411W-EN-5CCT	4" LED Retrofit / Gimbal / White / 5 CCT
LSL-411B-EN-5CCT	4" LED Retrofit / Gimbal / Black / 5 CCT
LSL-411BZ-EN-3CCT	4" LED Retrofit / Gimbal / Bronze / 3 CCT

List of Triac Dimmer Switch		
Mfr	Model #	Dimming Rate
COOPER	DLC03P	10 - 100%
Leviton	1A1505 / 1C1605	10 - 100%
Leviton	6631 / 6633	10 - 100%
Lutron	CT-603PG / CT-600PR	10 - 100%
Lutron	DV-600PR / DV603PG	10 - 100%
Lutron	DVW-603PGH / DVCL-153P	10 - 100%
Lutron	MACL-153M / TGCL-153P	10 - 100%
Lutron	S-600PR / S-2-LH	10 - 100%