

LED Backlit Panel Light

Features

ETL: Suitable for damp locations. (Type IC rated)

DLC: Meet latest DLC 5.1 requirement.

Dimming: Isolate 0-10V dimming driver, 120-277V.

Long Lifespan: 50,000 hours, 5 years warranty.

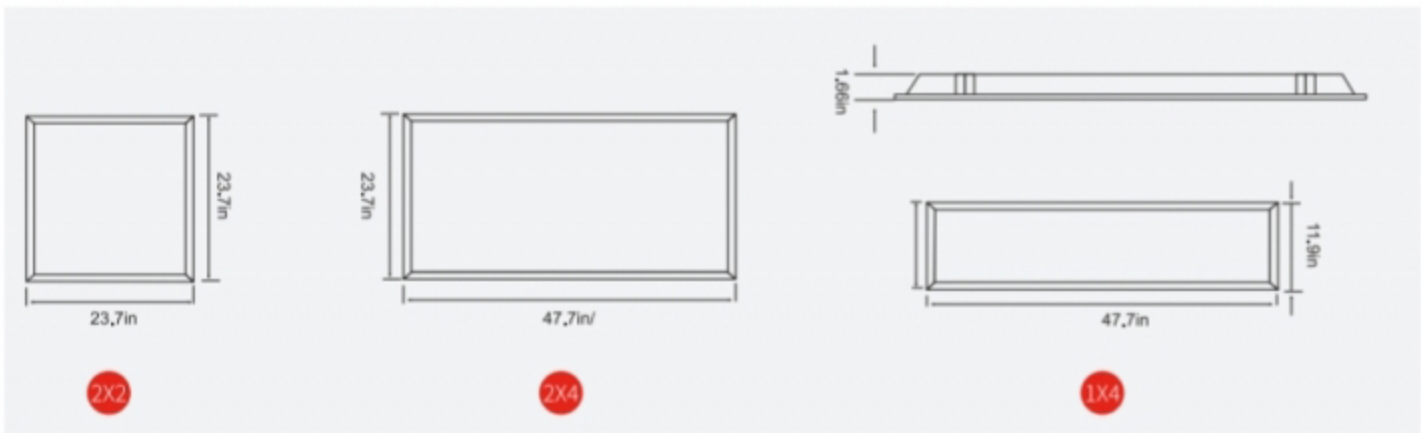
Lens: High-transmission, diffuse lens have excellent distribution and uniformity.

Applications: Ultra slim backlit design for more applications.

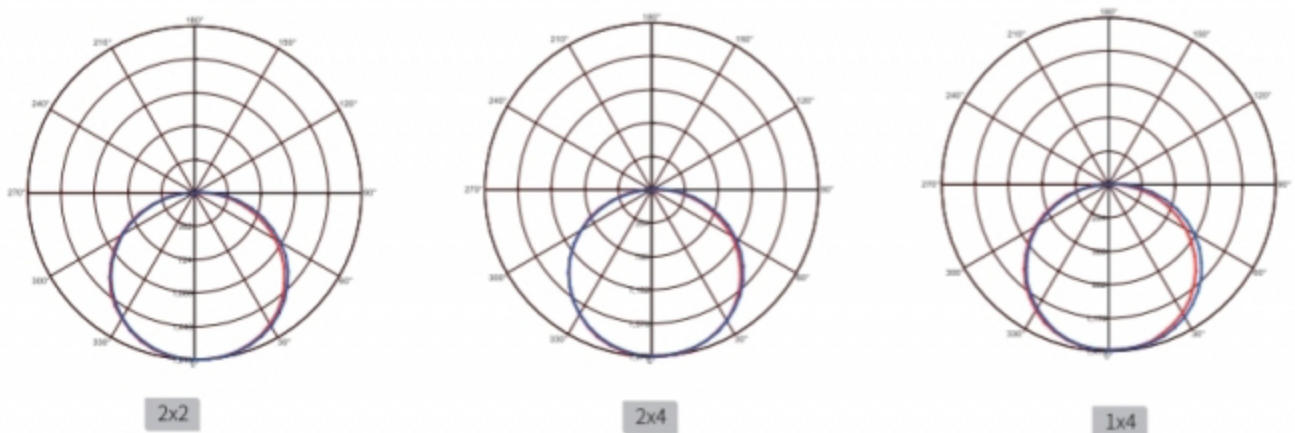
3CCT selectable: 3500K/4000K/5000K.



Dimension



Photometric



LED Backlit Panel Light

Specification

| Catalog Number | Size | Input Voltage (V) | Lamp Watt (W) | Efficacy (Lumen/watt) | Lumen Output (lm) | CCT (K) | CRI | Life Time (Hrs) |
|-------------------------|------|-------------------|---------------|-----------------------|-------------------|----------------|-----|-----------------|
| LS26-GLFP 50W 2X2 CCT3 | 2X2 | 120-277VAC | 50 | 110-120 | 5650/5900/5700 | 3500/4000/5000 | >80 | 50,000 |
| LS26-GLFP 50W 2X4 CCT3 | 2X4 | 120-277VAC | 50 | 110-120 | 5750/6100/5800 | 3500/4000/5000 | >80 | 50,000 |
| LS26-GLFP 40W 1X4 CCT3 | 1X4 | 120-277VAC | 40 | 110-120 | 4500/4700/4550 | 3500/4000/5000 | >80 | 50,000 |
| LS26-GLFP 50W 2X4/4K | 2X4 | 120-277VAC | 50 | 110-120 | 5750 | 4000 | >80 | 50,000 |
| LS26-GLFPE 50W 2X4/4K | 2X4 | 120-277VAC | 50 | 110-120 | 5750 | 4000 | >80 | 50,000 |
| LS26-GLFPE 50W 2X2 CCT3 | 2X2 | 120-277VAC | 50 | 110-120 | 5600/5950/5700 | 3500/4000/5000 | >80 | 50,000 |
| LS26-GLFPE 50W 2X4 CCT3 | 2X4 | 120-277VAC | 50 | 110-120 | 5750/6100/5800 | 3500/4000/5000 | >80 | 50,000 |

** E = Emergency Backup Kit



2X2



2X4



1X4

Installation

Surface Mount



Connect three frames with connectors

Push the LED panel pigting into the channels

Recessed



Push the lamp front adown,put it into the ceiling channel

Please check if the lamp have been fixed in the ceiling channel

Suspension



Fix the under suspend rope in the lamp

Theard another side of the uppersuspend rope into the hasp