

LS-EE-A
LED THERMOPLASTIC
EMERGENCY UNIT

Catalog Number

Project Name



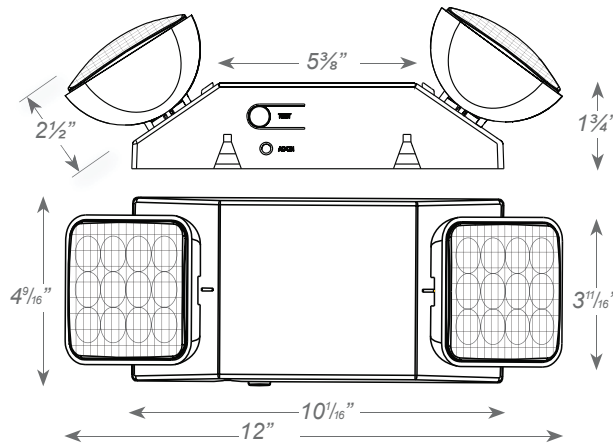
FEATURES

Adjustable LED lamp heads provide optimal center-to-center spacing. 3.6V long life, maintenance-free, rechargeable NiCd battery. Dual 120/277 voltage standard. 1.0 watt (8 LEDs x 0.125 watt) per head. Charge rate/power "ON" LED indicator light and push-to-test switch for mandated code compliance testing. Internal solid-state transfer switch automatically connects the internal battery to LED lamp heads for minimum 90-minute emergency illumination. Injection-molded, engineering grade, 5VA flame retardant, high-impact resistant, thermoplastic in white or black finish. Universal knockout pattern on back plate for surface mount. Snaps into place making internal electrical connections.

WATTAGE

1.5 watts/head

DIMENSIONS



ORDERING

LS-EE-A

SERIES	FINISH
LS-EE-A	White