

Project: _____
 Fixture Type: _____
 Location: _____
 Contact/Phone: _____

PRODUCT DESCRIPTION

This LS-6-S-IC-AT-01V Housing series is designed for new construction installations and suitable for use in ceiling where the housing can be direct contact with insulation. For use in shallow ceiling which have tighter clearances.

PRODUCT SPECIFICATIONS

Plaster Frame

- Galvanized steel construction. The housing can be removed from plaster frame to provide access to the junction box.

Junction Box

- Listed for through branch circuit wiring.
- Contains one 1-1/8", six 7/8", knockouts and four Romex pryouts with strain relief.

Bar Hanger

- Pre-installed Real nail easily installs in regular lumber, engineered lumber.
- Bar Hangers are adjustable from 13-5/8" to 25" and can be repositioned 90 degree on plaster frame.

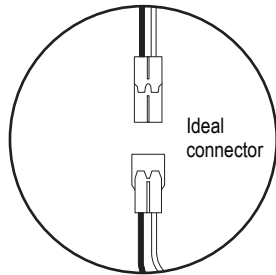
Listings

- cULus Listed for Damp Location
- cULus Listed for Feed Through
- Certified under ASTM-E283 for Air tight construction

CONNECT DIMMER SWITCH WIRING

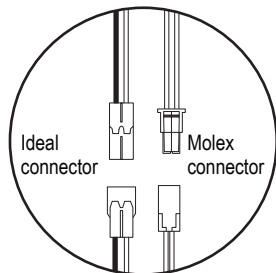
Model NO. LS-6-S-IC-AT

Standard version
(120-277V, Triac Dimming at 120V)



Model NO. LS6-S-IC-AT-01V

0-10V dimming version
(120-277V, 0-10V dimming at 120-277V)

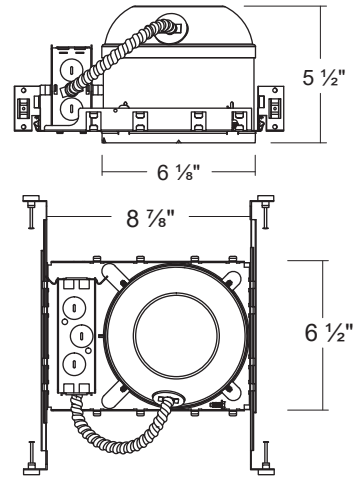


LS-6-S-IC-AT-01V

6" IC LED Dedicated Housing SHALLOW
New construction Housing



DIMENSIONS



ORDERING INFORMATION

Standard version

Catalog Number	Description
LS-S-6-IC-AT	6" IC Dedicated Can Shallow New construction Housing

0-10V dimming version

Catalog Number	Description
LS-6-S-IC-AT-01V	6" IC Dedicated Can Shallow New construction Housing

COMPATIBLE TRIMS

Standard version

Catalog Number	Description
LSL-560	5 & 6" LED Retrofit / Smooth
LSL-563	5 & 6" LED Retrofit / Baffle

0-10V dimming version

Catalog Number	Description
LSL-644-01V	6" LED Retrofit / 5CCT Square Smooth
LSL-801W/SQ	6" LED Retrofit 5CCT SQAURE