

Project: \_\_\_\_\_  
 Fixture Type: \_\_\_\_\_  
 Location: \_\_\_\_\_  
 Contact/Phone: \_\_\_\_\_

**PRODUCT DESCRIPTION**

6 inch LED Dedicated IC Shallow Housing series. This LED Housing series is designed for remodel applications and suitable for use in ceiling where the housing can be direct contact with insulation. Shallow remodel housing install into existing drywall or wood ceiling with no above access. Air tight construction reduces energy costs by reducing the amount of air leakages through the ceiling.

**PRODUCT SPECIFICATIONS**

**Junction Box**

- Listed for through branch circuit wiring.
- Contains one 1-1/8", six 7/8" knockouts and four Romex pryouts with strain relief.

**Ceiling Thickness**

- Housing adjusts from 5/8" - 1 3/8" to accommodate various ceiling thickness.

**Remodel Clips**

- Four remodel clips secure housing and accommodates 1/2" and 5/8" ceiling materials.

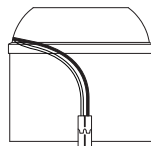
**Listings**

- cULus Listed for Damp Location
- cULus Listed for Feed Through
- Certified under ASTM-E283 for Air tight construction

**CONNECTOR**

Model NO. LED600SICRA

Triac Dimming version



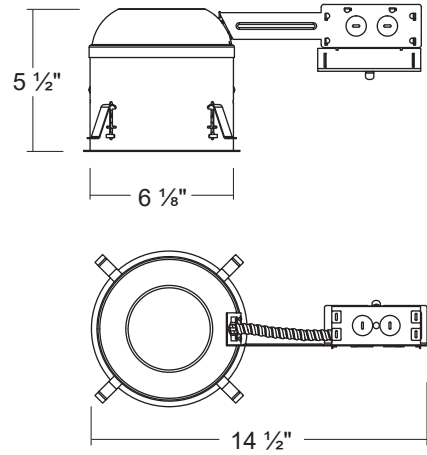
Ideal connector

**LS-6INCH-R-S-IC-AT**

6" IC LED Dedicated Can Shallow Remodel Housing



**DIMENSIONS**



**COMPATIBLE TRIMS**

Dimming	Model NO.	Description
	LSL-560	5&6" LED Retrofit / Smooth
	LSL-563	5&6" LED Retrofit / Baffle

**Triac Dimming**


**ORDERING INFORMATION**

Model NO.	Dimming	Description
LS-6INCH-R-S-IC-AT	Triac Dimming	6" IC Dedicated Can Shallow Remodel Housing