

Project: _____

Fixture Type: _____

Location: _____

Contact/Phone: _____

PRODUCT DESCRIPTION

6 inch LED Dedicated IC Housing series. This LED Housing series is designed for remodel applications and suitable for use in ceiling where the housing can be direct contact with insulation. Remodel housing install into existing drywall or wood ceiling with no above access. Air tight construction reduces energy costs by reducing the amount of air leakages through the ceiling.

PRODUCT SPECIFICATIONS

Junction Box

- Listed for through branch circuit wiring.
- Contains one 1-1/8", six 7/8" knockouts and four Romex pryouts with strain relief.

Ceiling Thickness

- Housing adjusts from 5/8" - 1 3/8" to accommodate various ceiling thickness.

Remodel Clips

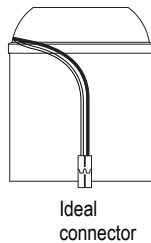
- Four remodel clips secure housing and accommodates 1/2" and 5/8" ceiling materials.

Listings

- cULus Listed for Damp Location
- cULus Listed for Feed Through
- Certified under ASTM-E283 for Air tight construction

CONNECTOR

Model NO. LED600ICRA
Triac Dimming version

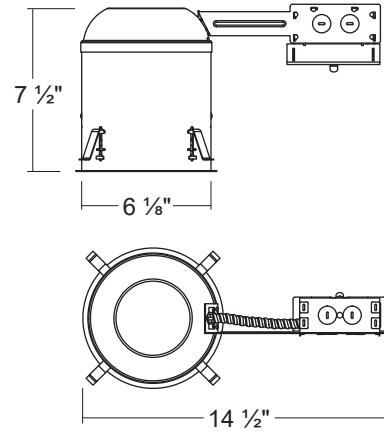


LS-6INCH-R-IC-AT

6" IC LED Dedicated Can Remodel Housing



DIMENSIONS



COMPATIBLE TRIMS

Dimming	Model NO.	Description
	LS-560	5&6" LED Retrofit / Smooth
	LS-563	5&6" LED Retrofit / Baffle
Triac Dimming		

ORDERING INFORMATION

Model NO.	Dimming	Description
LS-6INCH-R-IC-AT	Triac Dimming	6" IC Dedicated Can Remodel Housing