

LIGHTING SPOT₂₆

LED Wall-PACK Light Flood Light DataSheet



With Knuckle

Direct to wall

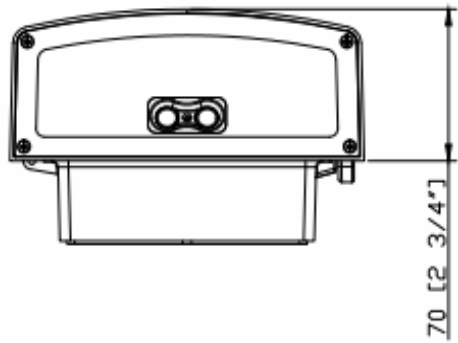
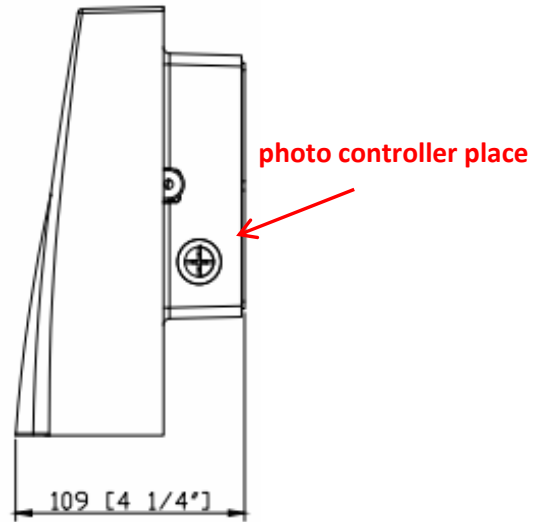
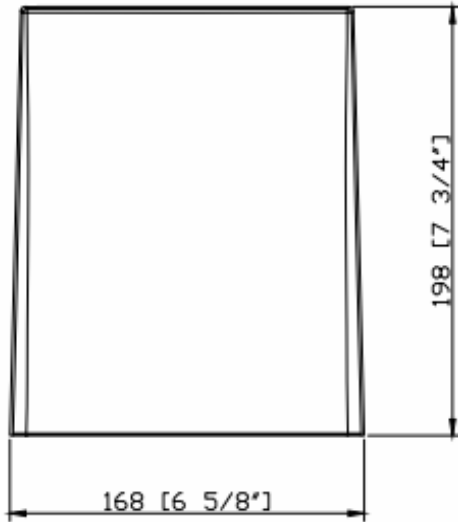
With bracket

CE RoHS Wet Locations

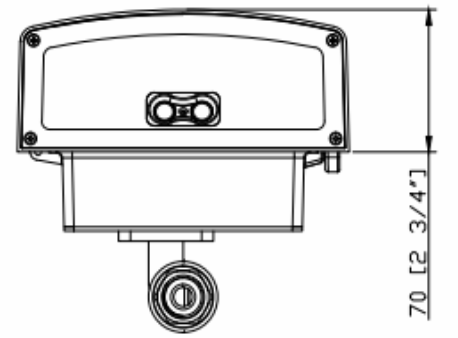
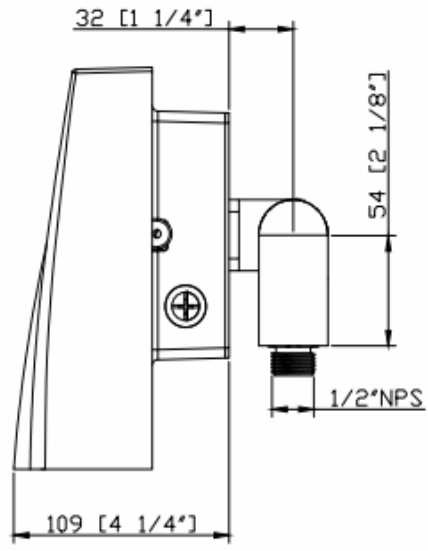
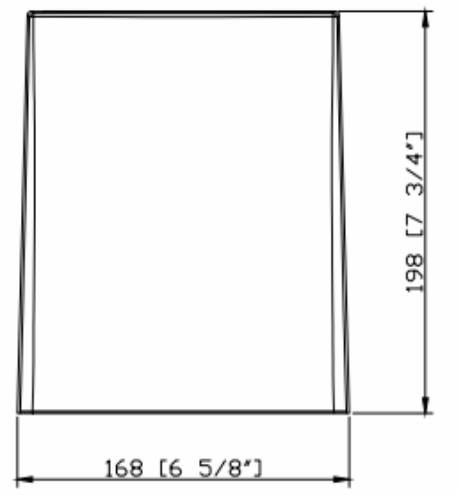
Model :		LS-2-WMB-201-30K-50K	LS-2-WMB-301
OVERALL LAMP PARAMETERS	Input Voltage	100-277VAC	
	Input Current	0.5A @100V / 0.2A @277V	
	Input Power	22W	30W
	Power Factor	PF≥0.95	
	Luminance	1850LM	2500LM
	Luminous Efficiency	82LM/W	82LM/W
	CRI	>70	>70
	Beam Angle	140°	
	Main Structure	Alluminium + Tempered Glass + (stainless steel bracket)	
LED DRIVER	Output Voltage	24-48VDC	24-45VDC
	Output Current	0.5A	0.7A
	Driver Efficiency	87%	88%
LED	LED Brand	CXA1507	CXA1512
	LED Quantity	2PCS	2PCS
	LED Manufacturer	Cree	Cree
	LED Efficacy	120LM/W	120LM/W
	Color Temperature	WW / NW / PW / CW (3000K-6000K)	
LIFESPAN & ENVIRONMENT	Lifespan	50000Hrs.	
	Warranty	5 Years	
	IP Rating	IP54, Wet Locations	
	Operating Temperature	-20°C—+40°C	
	Storage Temperature.Humidity	-40°C—+80°C , 10—90% RH	
SAFETY&EMC	Safety Norms	UL 1598,UL8750, EN60598, EN61347-2-13, EN62031, EN62471	
	Withstand Voltage	I/P-FG: 2121VDC	
	Grounding Resistance	25A 100mΩ	
	Electromagnetic Compatibility	EN55015, EN61000-2-3, EN61000-3-3, EN61547	
OTHERS	Dimension	Pls refer to attached dimension drawing	
	Net Weight	--KG	
	Gross Weight	--KG	
	Box Size	-----	
	Q'ty / Carton	PCS	
	Carton Size	-----	

Dimension :

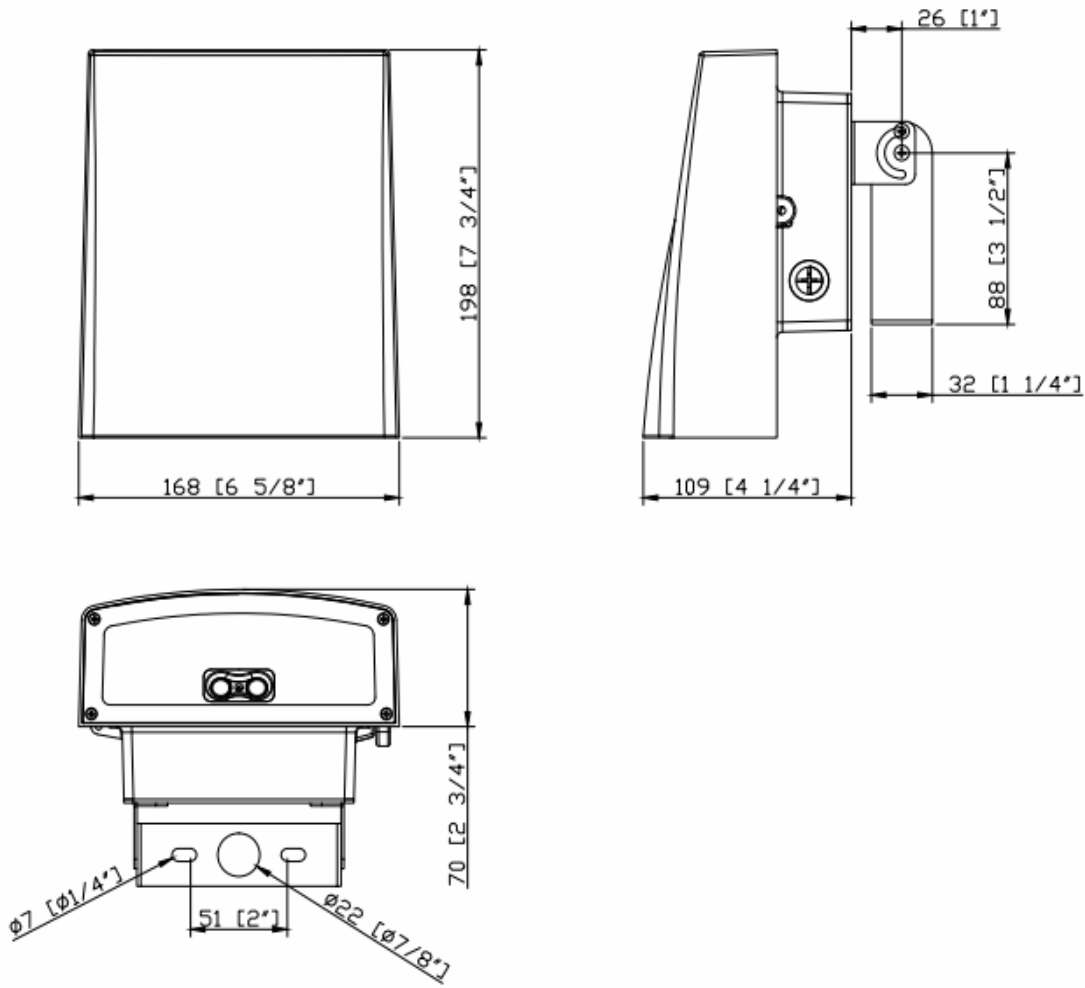
1. Direct to wall



2. With Knuckle



3. With bracket



LUMINAIRE PHOTOMETRIC

