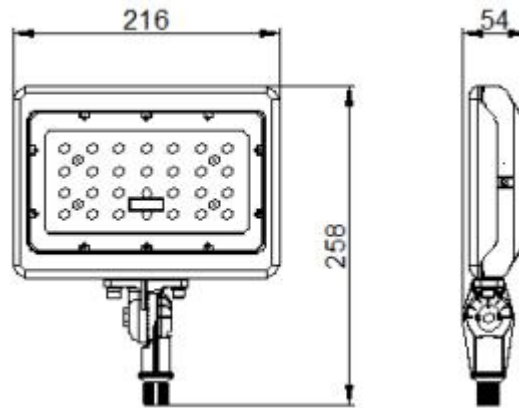


## TECHNICAL DATA SHEET



NAME: LED Flood Light

P/N:LS2-SNC-FL0650W-A-aK

Note: a in P/N represent CCT, can be 3,4,5

### Advantage:

- Lumileds Chip, High CRI
- China brand IP65 driver, Input voltage 100-277Vac
- No UV or IR in the beam
- Easy to install and operate
- Energy saving, Long lifespan
- Instant start, NO flickering, NO humming
- Green and eco-friendly without mercury.

### Application:

- ◆ Factory floor, libraries, square, park;
- ◆ Supermarkets, railway stations;
- ◆ Advertising lighting, etc.



Lighting **SPOT26** INC.

Tel: 310-504-3108

Fax: 323-588-1218

www.lightingspot26.com

**TECHNICAL DATA SHEET****Product Specifications**

|              |                      |
|--------------|----------------------|
| Product name | LED Flood Light      |
| Part No.     | LS2-SNC-FL0650W-A-aK |
| Dimension    | 258*216*54 mm        |

**Technical Characteristic**

|                   |                    |
|-------------------|--------------------|
| Color temperature | 2700-6500K         |
| CRI               | >70                |
| Lumen             | 6500-7100 LM       |
| Input Power       | 50W                |
| Viewing Angle     | 7H7V               |
| Input Voltage     | 100-277Vac 50/60Hz |
| Driver model      | China brand driver |
| PF                | >0.9               |
| Waterproof Rating | WET (IP65)         |

**Materials**

|               |                    |
|---------------|--------------------|
| LED Brand     | LUMILEDS           |
| LED Type      | LUXEON 3030 2D     |
| LED QTY       | 56PCS              |
| Housing       | Aluminum +PC+Steel |
| Housing color | Brown              |

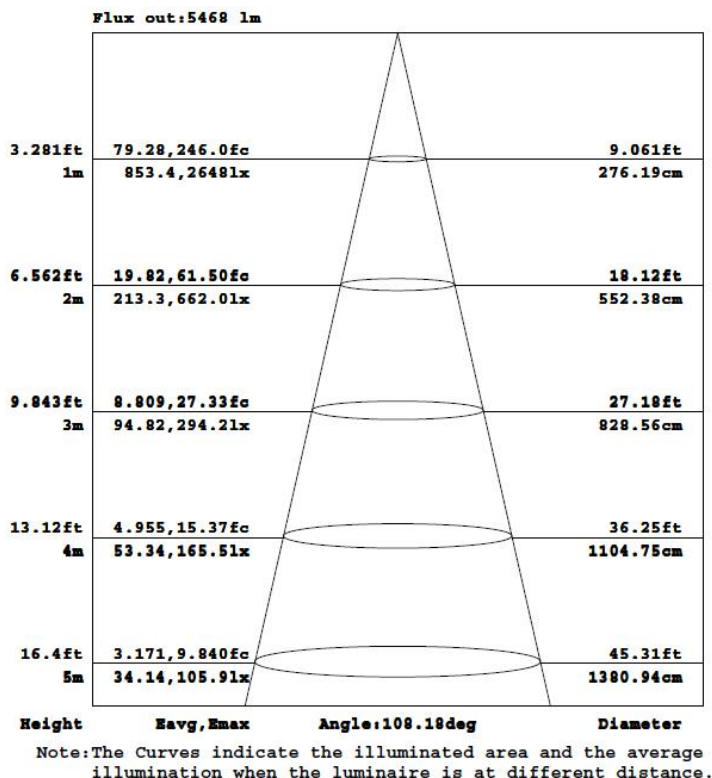
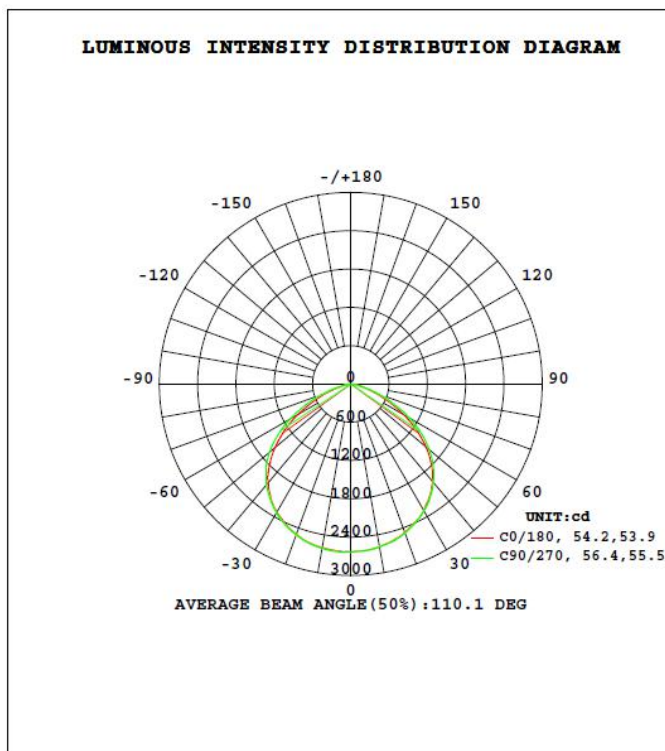
**Others**

|                       |                  |
|-----------------------|------------------|
| Operating Temperature | -20°C TO 45°C    |
| Operating Humidity    | 20%-90% RH       |
| Storage Temperature   | -30°C TO 80°C    |
| Storage Humidity      | 10%-95%          |
| Application           | Outdoor / Indoor |
| Warranty Time         | 5 Years          |

## TECHNICAL DATA SHEET

### Light Distribution Testing Parameters

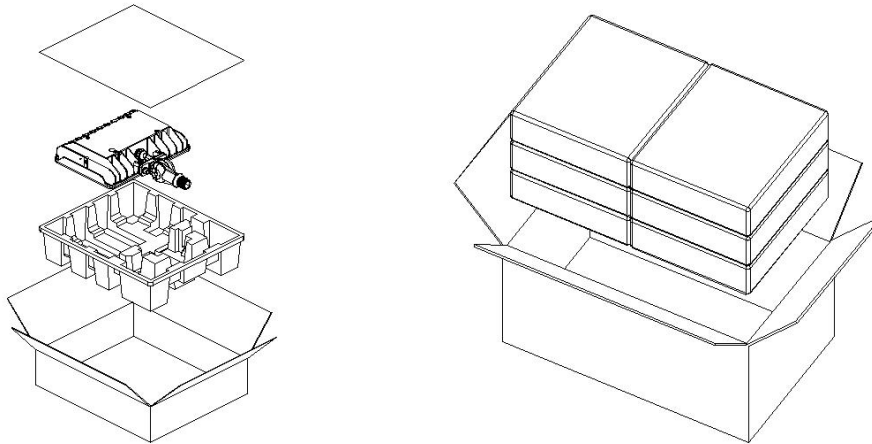
| DATA OF LAMP      |         | PHOTOMETRIC DATA <span style="float: right;">Eff: 133.25 lm/W</span> |        |                     |           |
|-------------------|---------|--|--------|---------------------|-----------|
| MODEL             |         | I <sub>max</sub> (cd)  | 2635   | S/MH (C0/180)       | 1.31      |
| NOMINAL POWER (W) | 50      | LOR (%)  | 100.0  | S/MH (C90/270)      | 1.31      |
| RATED VOLTAGE (V) | 120     | TOTAL FLUX (lm)  | 6978.5 | η UP, DN (C0-180)   | 0.1, 49.5 |
| NOMINAL FLUX (lm) | 6978.53 | CIE CLASS  | DIRECT | η UP, DN (C180-360) | 0.1, 50.4 |
| LAMPS INSIDE      | 1       | η up (%)   | 0.2    | CIBSE SHR NOM       | 1.25      |
| TEST VOLTAGE (V)  | 120.0   | η down (%)   | 99.8   | CIBSE SHR MAX       | 1.35      |



## TECHNICAL DATA SHEET

### Package

|                  |                |                |
|------------------|----------------|----------------|
| Lamps Net Weight |                | 1.64 kg        |
| Inner box        | size           | 305*260*77mm   |
|                  | Qty/ Carton    | 1 PCS          |
|                  | Weight/ Carton | 2.0 kg         |
| Outer box        | size           | 535*325*255 mm |
|                  | Qty/ Carton    | 6 PCS          |
|                  | Weight/ Carton | 12.8 kg        |



### Notice For User

- ◆ Please turn off power before install or change assembly parts.
- ◆ The input voltage and lamps should be matched, after connecting the power line, Please make sure the wiring section is insulated.
- ◆ No-professionals, must not install and disassemble the lamps.

### Trouble Shootings

| Troubles                | Check points   |
|-------------------------|--|
| Flickering of the light | Turn off the power and turn on again in 3 minutes. If same phenomena occur, then call agencies |
| Out of working          | Please check the connection  |