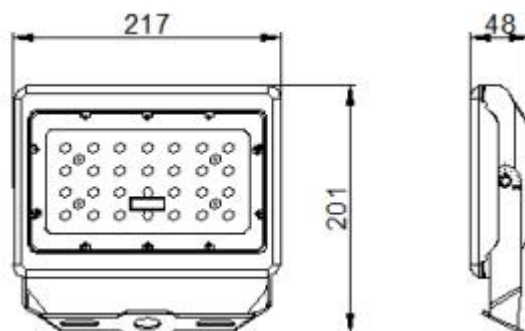


## TECHNICAL DATA SHEET



NAME: LED Flood Light

P/N:LS2-SNC-FL0650WaK

Note: a in P/N represent CCT, can be 3,4,5

### Advantage:

- Lumileds Chip, High CRI
- China brand IP65 driver, Input voltage 100-277Vac
- No UV or IR in the beam
- Easy to install and operate
- Energy saving, Long lifespan
- Instant start, NO flickering, NO humming
- Green and eco-friendly without mercury.



### Application:

- ◆ Factory floor, libraries, square, park;
- ◆ Supermarkets, railway stations;
- ◆ Advertising lighting, etc.

Lighting SPOT26 INC.

Tel: 310-504-3108

Fax: 323-588-1218

www.lightingspot26.com

## TECHNICAL DATA SHEET

### Product Specifications

Product name	LED Flood Light
Part No.	LS2-SNC-FL0650WaK
Dimension	201*217*48mm

### Technical Characteristic

Color temperature	2700-6500K
CRI	>70
Lumen	6500-7100 LM
Input Power	50W
Viewing Angle	7H7V
Input Voltage	100-277Vac 50/60Hz
Driver model	China brand driver
PF	>0.9
Waterproof Rating	WET (IP65)

### Materials

LED Brand	LUMILEDS
LED Type	LUXEON 3030 2D
LED QTY	56PCS
Housing	Aluminum +PC+Steel
Housing color	Brown

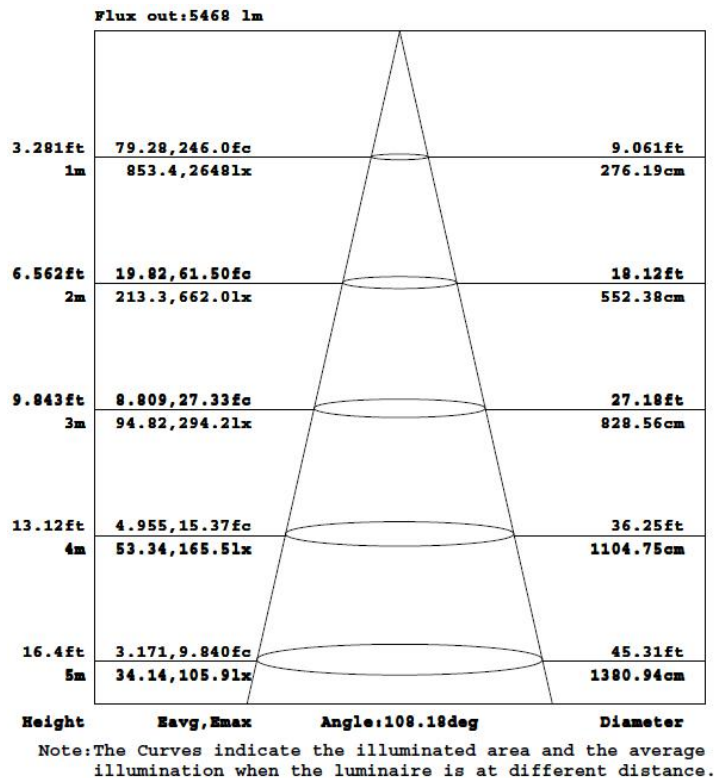
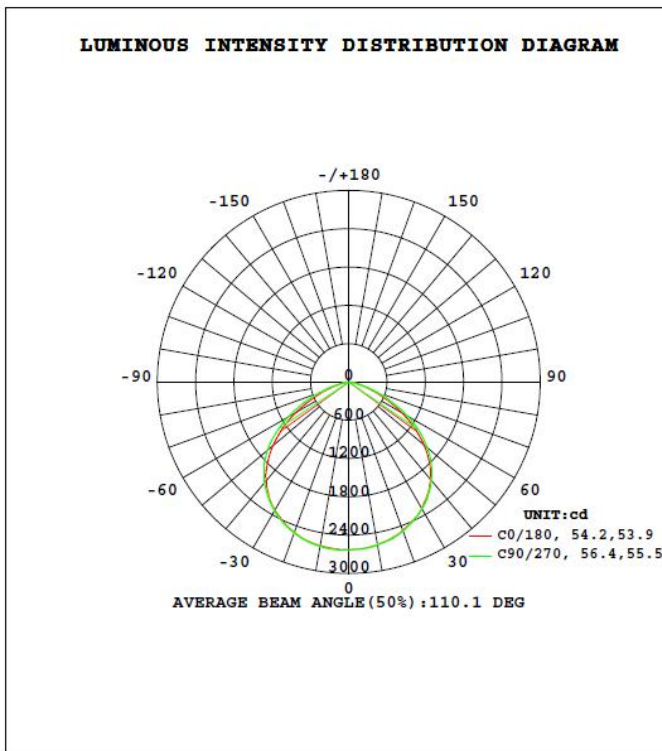
### Others

Operating Temperature	-20°C TO 45°C
Operating Humidity	20%-90% RH
Storage Temperature	-30°C TO 80°C
Storage Humidity	10%-95%
Application	Outdoor / Indoor
Warranty Time	5 Years

## TECHNICAL DATA SHEET

### Light Distribution Testing Parameters

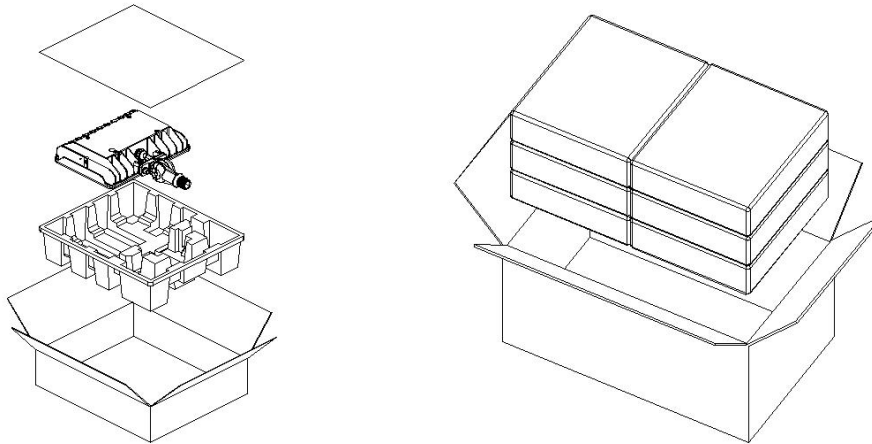
DATA OF LAMP		PHOTOMETRIC DATA      Eff: 133.25 lm/W			
MODEL		I <sub>max</sub> (cd)	2635	S/MH (C0/180)	1.31
NOMINAL POWER (W)	50	LOR (%)	100.0	S/MH (C90/270)	1.31
RATED VOLTAGE (V)	120	TOTAL FLUX (lm)	6978.5	η UP, DN (C0-180)	0.1, 49.5
NOMINAL FLUX (lm)	6978.53	CIE CLASS	DIRECT	η UP, DN (C180-360)	0.1, 50.4
LAMPS INSIDE	1	η up (%)	0.2	CIBSE SHR NOM	1.25
TEST VOLTAGE (V)	120.0	η down (%)	99.8	CIBSE SHR MAX	1.35



## TECHNICAL DATA SHEET

### Package

Lamps Net Weight		1.62 kg
Inner box	size	305*260*77mm
	Qty/ Carton	1 PCS
	Weight/ Carton	1.98 kg
Outer box	size	535*325*255 mm
	Qty/ Carton	6 PCS
	Weight/ Carton	12.7 kg



### Notice For User

- ◆ Please turn off power before install or change assembly parts.
- ◆ The input voltage and lamps should be matched, after connecting the power line, Please make sure the wiring section is insulated.
- ◆ No-professionals, must not install and disassemble the lamps.

### Trouble Shootings

Troubles	Check points
Flickering of the light	Turn off the power and turn on again in 3 minutes. If same phenomena occur, then call agencies
Out of working	Please check the connection