



LS-2-IC-AT*2

2" LED Dedicated ICAT New Construction Housing

Description 2" LED dedicated IC housing is designed for new construction in residential and commercial applications and suitable for use in ceiling where the housing can be direct contact with insulation. Air-tight construction reduces energy costs by reducing the amount of air leakage through the ceiling.

FEATURES

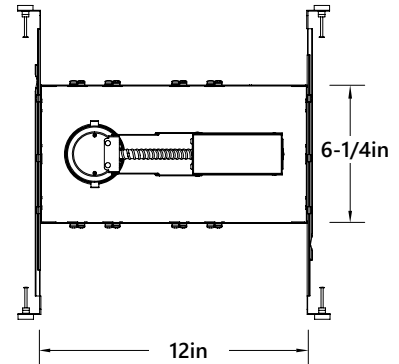
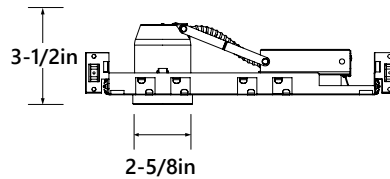
- Galvanized steel plaster frame with J-Box and captive hanger bars.
- LED Driver is mounted directly on housing.
- Junction Box - Listed for through branch circuit wiring. Contains three 1-1/8", five 7/8" knockouts and four Romex pryouts with strain relief.
- Ceiling Thickness - Housing adjusts from 5/8"-1 3/8" to accommodate various ceiling thickness.
- 120V (Triac dimming) or 120/277V (0-10V dimming)
- cULus Listed for Damp Location
- cULus Listed for Feed Through
- Certified under ASTM-E283 for Air-Tight construction



PRODUCT IMAGES & DIMENSIONS



LS-2-IC-AT*2
2" LED Dedicated New Construction ICAT Housing



SPECIFICATIONS

Catalog Number	Size	Type	Dimming	Certified
LS-2-IC-AT*2	2"	LED Dedicated ICAT New Construction Housing	Triac	cULus

Compatible Trims

LS-L-2-200	2" Round Smooth Trim	LS-L-2-203	2" Round Baffle Trim
LS-L-2-240	2" Square Smooth Trim	LS-L-2-243	2" Square Baffle Trim
LS-L-2-207	2" Round Gimbal Trim	LS-L-2-207-B	2" Round Gimbal Trim, Black
LS-L-2-247	2" Square Gimbal Trim	LS-L-2-247-B	2" Square Gimbal Trim, Black