



LSL-567W-010-5CCT

5"/6" 0-10V Selectable 5CCT LED Round Adjustable Gimbal Retrofit Downlight



Description 5"/6" Round adjustable gimbal LED Retrofit downlight is engineered with energy-efficient LED technology and with a 120/277V 0-10V dimmable driver for a budget friendly for 0-10V solution. Spun aluminum construction provides clean sharp edges and is suitable for use with most 5" or 6" recessed housings.

FEATURES

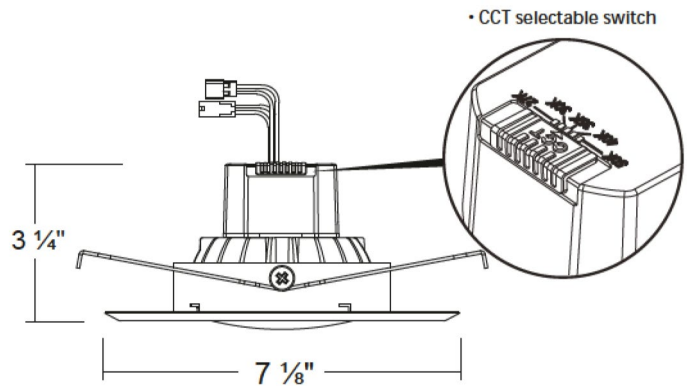
- 1000-1050lm / 13W
- Field selectable 5CCT - 2700K/3000K/3500K/4000K/5000K
- 90+CRI
- Protected LED driver performs at 120/277V
- 0-10V dimming at 120/277V
- Conduit quick-connect connectors facilitate installation
- Energy Star qualified
- RoHS compliances
- 5 years warranty
- cULus Listed for Damp Locations



PRODUCT IMAGES & DIMENSIONS



LSL-567W-010-5CCT
5"/6" 5CCT Round Adjustable Gimbal
Retrofit Downlight
0-10V Dimming



SPECIFICATIONS

| PART NUMBER | SIZE | STYLE | LUMEN/WATTAGE | SELECTABLE 5CCT | VOLTAGE | DIMMING | FINISH | LISTING |
|--------------------------|------|--------|-----------------|---------------------|----------|---------|--------|---------|
| LSL-567W-010-5CCT | 5" | Gimbal | 1000-1050lm/15W | 27K/30K/35K/40K/50K | 120-277V | 0-10V | White | cULus |