



LSL-560W-010-5CCT / LSL-563W-010-5CCT

5"/6" 0-10V Selectable 5CCT LED Round Retrofit Downlight

LUMENS: 940-1000lm COLOR TEMPERATURE: 2700K/3000K/3500K/4000K/5000K APERTURE: Round



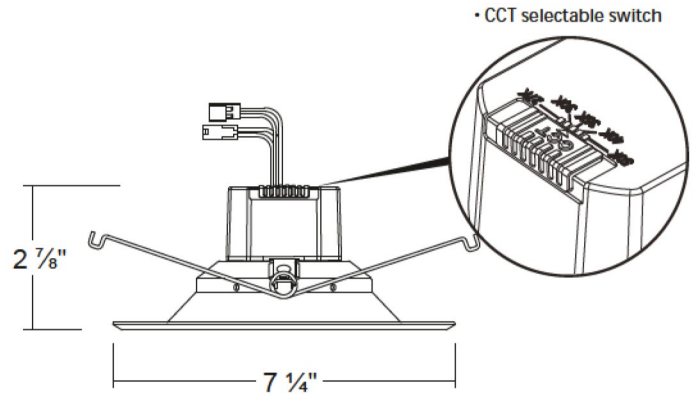
Description 5"/6" Round LED Retrofit downlight is engineered with energy-efficient LED technology and with a 120/277V 0-10V dimmable driver for a budget friendly for 0-10V solution. Spun aluminum construction provides clean sharp edges and is suitable for use with most 5" or 6" recessed housings.

FEATURES

- 940-1000lm / 13W
- Field selectable 5CCT - 2700K/3000K/3500K/4000K/5000K
- 90+CRI
- Protected LED driver performs at 120/277V
- 0-10V dimming at 120/277V
- Conduit quick-connect connectors facilitate installation
- Energy Star qualified
- RoHS compliances
- 5 years warranty
- cULus Listed for Damp Locations



PRODUCT IMAGES & DIMENSIONS



LSL-560W-010-5CCT

5"/6" 5CCT Round Smooth Reflector
Retrofit Downlight
0-10V Dimming

LSL-563W-010-5CCT

5"/6" 5CCT Round Baffle
Retrofit Downlight
0-10V Dimming

SPECIFICATIONS

PART NUMBER	SIZE	STYLE	LUMEN/WATTAGE	SELECTABLE 5CCT	VOLTAGE	DIMMING	FINISH	LISTING
LSL-560W-010-5CCT	5"/6"	Smooth	940-1000lm/13W	27K/30K/35K/40K/50K	120-277V	0-10V	White	cULus
LSL-563W-010-5CCT	5"/6"	Baffle	940-1000lm/13W	27K/30K/35K/40K/50K	120-277V	0-10V	White	cULus