



LSCD-8RR-50W-5CCT

8" (50W) Wattage Tuning & Selectable 5CCT Canless Round Reflector Commercial Downlight

LUMENS: 3000/4000/4550lm COLOR TEMPERATURE: 27K/30K/35K/40K/50K

APERTURE: Round

Description 8" LED commercial-grade high lumen downlight includes two tunable switches; selectable Lumens allows the end user to determine the wattage input and selectable 5CCT allows changing the color temperature appearance. With two tension steel spring clips, the 8" LED commercial-grade downlight can be installed without any frame-in or housing.

FEATURES

- Wattage tuning between 30W/40W/50W
- Selectable 5CCT from 2700K/3000K/3500K/4000K/5000K
- Can-less installation (No housing is required)
- Optional Emergency back-up
- Field adjustable 36°-65° beam angle
- 120-277V, Triac and 0-10V dimming
- Available in Black, Silver or White finish
- 5 years warranty
- cETLus rated for Wet Locations



Wattage Tunable Switch



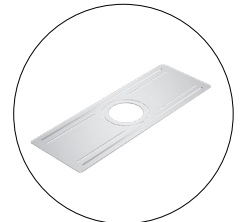
5CCT Selectable Switch



Twist lens to change beam angle output



EM-15W
Optional Emergency Battery Backup

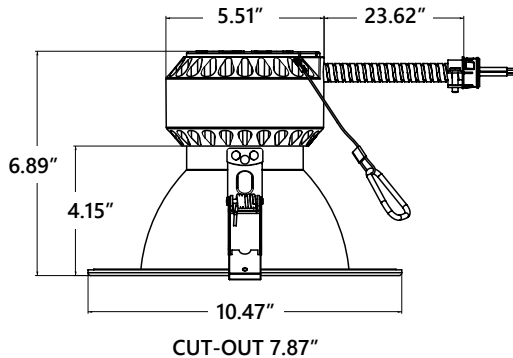


LSCD-468-PL
Optional 4"/6"/8" Installation Plate

PRODUCT IMAGES & DIMENSIONS



LSCD-8RR-50W-5CCT-SWH
8" 50W Round Silver Reflector, White Flange Finish



LSCD-8RR-50W-5CCT-BBL
8" 50W Round Black Reflector, Black Flange Finish



LSCD-8RR-50W-5CCT-SSL
8" 50W Round Silver Reflector, Silver Flange Finish



LSCD-8RR-50W-5CCT-WWH
8" 50W Round White Reflector, White Flange Finish

SPECIFICATIONS

PART NUMBER	SIZE	WATTAGE TUNING	SELECTABLE 5CCT	CRI	VOLTAGE	DIMMING	FINISH	LISTING
LSCD-8RR-50W-5CCT-BBL	8"	30W/40W/50W	27K/30K/35K/40K/50K	90+	120-277V	TRIAC/0-10V	Black/Black	cETLus
LSCD-8RR-50W-5CCT-SSL	8"	30W/40W/50W	27K/30K/35K/40K/50K	90+	120-277V	TRIAC/0-10V	Silver/Silver	cETLus
LSCD-8RR-50W-5CCT-SWH	8"	30W/40W/50W	27K/30K/35K/40K/50K	90+	120-277V	TRIAC/0-10V	Silver/White	cETLus
LSCD-8RR-50W-5CCT-WWH	8"	30W/40W/50W	27K/30K/35K/40K/50K	90+	120-277V	TRIAC/0-10V	White/White	cETLus