



# LS-SEM-X-G & LS-SEM-X-R

## Self-Diagnostic LED Exit and Emergency Combination



**Description** Self-diagnostic universal field-selectable single/double-face exit light with fully adjustable LED emergency heads. It can be wall or ceiling mounted and suitable for damp locations.

### FEATURES

- 2 x 1.2W fully adjustable LED emergency heads
- Long-life, high-intensity LEDs
- Fully illuminated 6" height with 3/4" stroke and chevron directional arrows
- UL-94-V0 flame-retardant, fire-resistant
- Injection-molded thermoplastic ABS housing
- Wall, end or ceiling mount
- AC input: 120/277V 60Hz
- Input Rating: 2.0W, 150mA
- Maintenance-free 3.6V NiCad battery
- Operating Temperature: 0°C to 40°C (32°F to 104°F)
- 5 years warranty on all electronics and housing
- UL 924 Listed for Damp Locations



### PRODUCT IMAGES & DIMENSIONS



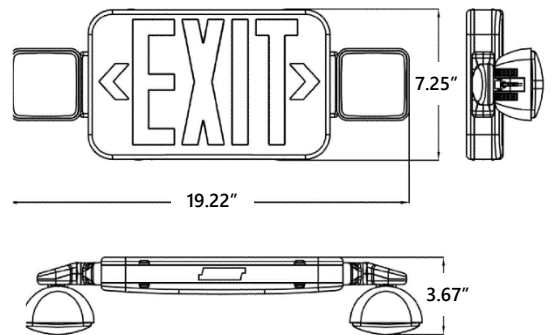
#### LS-SEM-X-G

Self-diagnostic LED Exit & Emergency, Green Letters



#### LS-SEM-X-R

Self-diagnostic LED Exit & Emergency, Red Letters



### SPECIFICATIONS

PART NUMBER	WATTAGE	VOLTAGE	EMERGENCY DURATION	SELF-DIAGNOSTIC	LETTER	FINISH	LISTING
<b>LS-SEM-X-G</b>	2.4W	120/277V	90 Minutes	Yes	Green	White	cULus
<b>LS-SEM-X-R</b>	2.4W	120/277V	90 Minutes	Yes	Red	White	cULus