



LS-EMXO-G & LS-EMXO-R

Outdoor Wet Location LED Exit and Emergency Combination

Description Outdoor IP65 protection universal field-selectable single/double-face exit light with fully adjustable LED emergency heads. It can be wall, end or ceiling mounted.

FEATURES

- Fully adjustable LED emergency heads
- Long-life, high-intensity LEDs
- Fully illuminated 6" height with 3/4" stroke and chevron directional arrows
- UL-94-V0 flame-retardant, fire-resistant
- Injection-molded thermoplastic ABS housing
- Wall, end or ceiling mount
- AC input: 120/277V 60Hz
- Input Rating: 2.0W, 150mA
- Maintenance-free 3.6V NiCad battery
- Operating Temperature: 0°C to 40°C (32°F to 104°F)
- 5 years warranty on all electronics and housing
- UL 924 Listed for Wet Locations
- California Energy Commission (CEC) Title 20 Compliant



PRODUCT IMAGES & DIMENSIONS



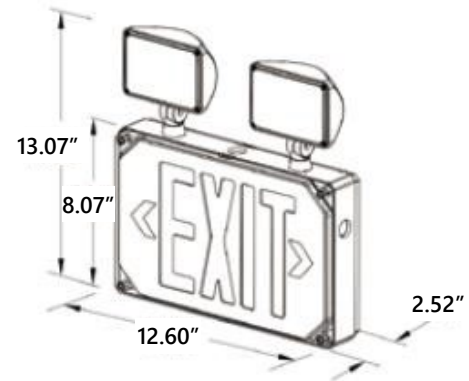
LS-EMXO-R

Outdoor Wet Location LED Exit & Emergency, Red Letters



LS-EMXO-R

Outdoor Wet Location LED Exit & Emergency, Green Letters



SPECIFICATIONS

PART NUMBER	WATTAGE	VOLTAGE	EMERGENCY DURATION	LETTER	FINISH	LISTING
LS-EMXO-G	2.4W	120/277V	90 Minutes	Green	White	cULus
LS-EMXO-R	2.4W	120/277V	90 Minutes	Red	White	cULus