



# LS-801-5CCT / LS-801M-5CCT

## 8" Selectable 5CCT Square Flush Lens LED Recessed Downlight

LUMENS: 1480-1560lm

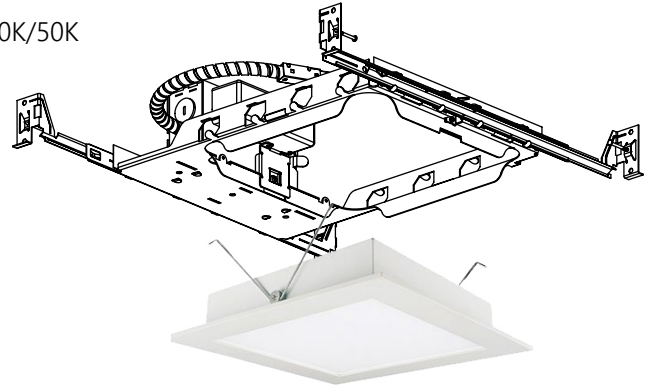
COLOR TEMPERATURE: 27K/30K/35K/40K/50K

APERTURE: Square

**Description** 8" selectable 5CCT square flush lens LED recessed downlight with torsion spring for easy installation and is designed to accommodate 8" square frame.

### FEATURES

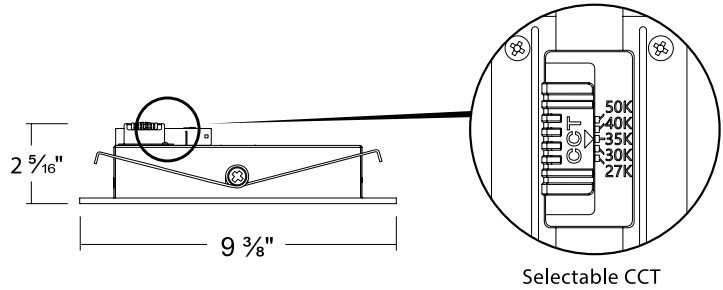
- 1480-1560lm / 18W
- Selectable 5CCT: 27K/30K/35K/40K/50K
- 90+CRI
- 120V Triac Dimming
- 120-277V 0-10V dimming
- Plastic flush lensed trim
- Torsion spring mounting
- Energy Star qualified
- RoHS compliances
- 5 years warranty
- cULus Listed for Wet Locations



### PRODUCT IMAGES & DIMENSIONS



**LS-801-5CCT - 120V TRIAC**  
**LS-801M-5CCT - 120-277V 0-10V**  
 8" Selectable 5CCT Square Flush Lens  
 LED Recessed Downlight



### SPECIFICATIONS

PART NUMBER	SIZE	STYLE	LUMEN/WATTAGE	SELECTABLE 5CCT	CRI	VOLTAGE	DIMMING	FINISH	LISTING
<b>LS-801-5CCT</b>	8"	Square Flush Lens	1480-1560lm/18W	27K/30K/35K/40K/50K	90	120V	TRIAC	White	cULus
<b>LS-801M-5CCT</b>	8"	Square Flush Lens	1480-1560lm/18W	27K/30K/35K/40K/50K	90	120-277V	0-10V	White	cULus