



LS-8-SQ-TD / LS-8-SQ-0-10V

8" Square New Construction Dedicated LED Frame-In

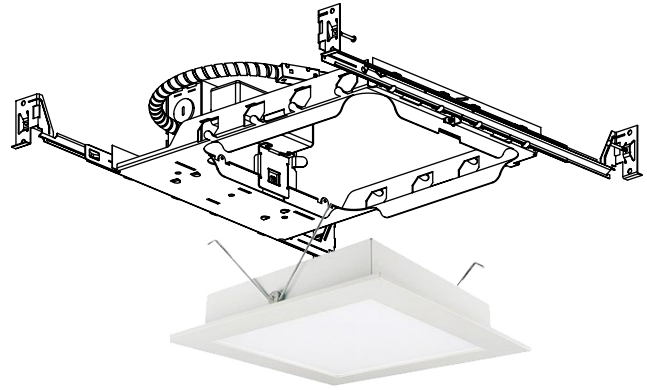
Description 8" Galvanized steel construction plaster frame-in with J-Box and captive hanger bar with real nail. LED driver is mounted directly on the frame.

FEATURES

- 120V; Triac dimming
- 120-277V; 0-10V dimming
- Energy Star qualified
- RoHS compliances
- 5 years warranty
- cULus Listed for Wet Locations



LS-8-SQ-TD / LS-8-SQ-0-10V



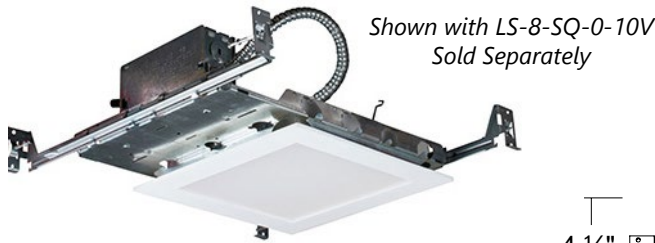
LS-801-5CCT / LS-801M-5CCT

Compatible Trims:

LS-801-5CCT 8" Selectable 5CCT Square Flush Lens LED Recessed Downlight

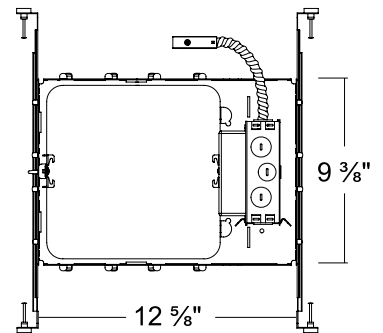
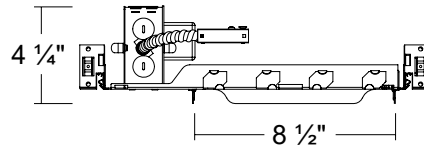
LS-801M-5CCT 8" 0-10V Selectable 5CCT Square Flush Lens LED Recessed Downlight

PRODUCT IMAGES & DIMENSIONS



LS-8-SQ-TD

8" Square New Construction
Dedicated LED Frame-In



SPECIFICATIONS

PART NUMBER	SIZE	STYLE	VOLTAGE	DIMMING	LISTING
LS-8-SQ-TD	8"	New Construction	120V	TRIAC	cULus
LS-8-SQ-0-10v	8"	New Construction	120-277V	0-10V	cULus