

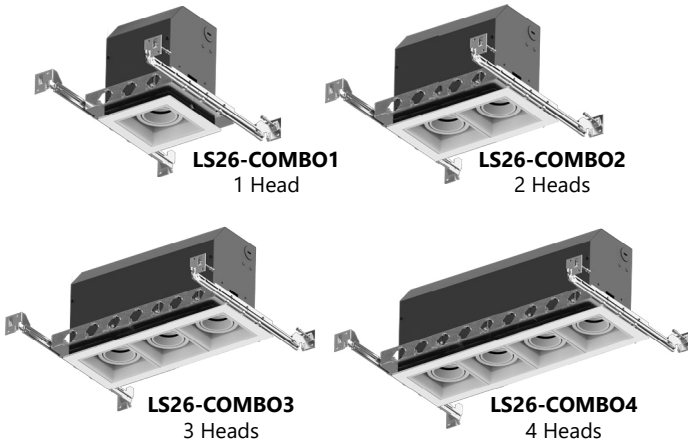


High Quality, Design and Energy Efficient



ARCHITECTURAL LIGHTING BERNINI MULTI-HEAD LED COMBO DOWNLIGHT 1, 2, 3 or 4 Heads (Trim/Trimless)

A recessed LED multiple combo light featuring 1, 2, 3, or 4 LED luminaires, each producing 1200 lumens. Fully interchangeable optics makes it easy to change beam spreads in the field. Each individual LED module can be rotated 360° horizontally and 20° vertically for precise aiming. Streamlined rectangular profile fits into modern interiors. High-output LED arrays and high efficacy equal excellent performance and color quality. IC Rated: can be used in areas where insulation is required.



Trim Options & Finishes



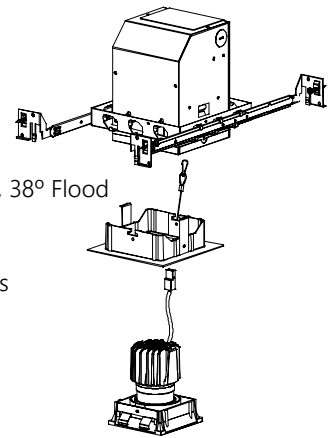
FT - Flanged TL - Trimless



WWH White/White **BBK** Black/Black **BWH** Black/White **WBK** White/Black

FEATURES

- 1200lm / 15W per head
- 2700K, 3000K, 4000K, 5000K, 6000K or DW (Dim-to-Warm 1000K-3000K)
- Field changeable optic: 15° Narrow, 24° Spot, 38° Flood
- One to Four head configurations
- Customizable Trim options: Flange or Trimless
- Triac or 0-10V dimming
- IC Rated
- ETL Certified for Damp Locations
- Certified to the high efficacy requirement of California Title 24



ORDERING CHART

Bernini Multi-Head LED Combo Downlight

SERIES	LUMEN/WATTAGE	DIMMING	BEAM SPREAD	CCT	TRIM TYPE	TRIM FINISH
LS26-COMBO1 1 Head	1200lm / 15W	0-10V	15D 15° Narrow	27 2700K 60 6000K	FT Flanged	BBK Black/Black
LS26-COMBO2 2 Heads	2400lm / 30W	TRIAC	25D 25° Spot	30 3000K DW Warm-Dim	TL Trimless	BWH Black/White
LS26-COMBO3 3 Heads	3600lm / 45W		39D 39° Flood	40 4000K 1000K-3000K		WBK White/Black
LS26-COMBO4 4 Heads	4800lm / 60W			50 5000K		WWH White/White

Example: **LS26-COMBO2130FTWWH** 2 Heads LED Combo, 2400lm/30W, 15° Narrow Beam Spread, 3000K @ 90+CRI, TRIAC Dimming, Flanged Trim, White/White Finish