

INSTALLATION MANUAL

IMPORTANT SAFETY PRECAUTIONS

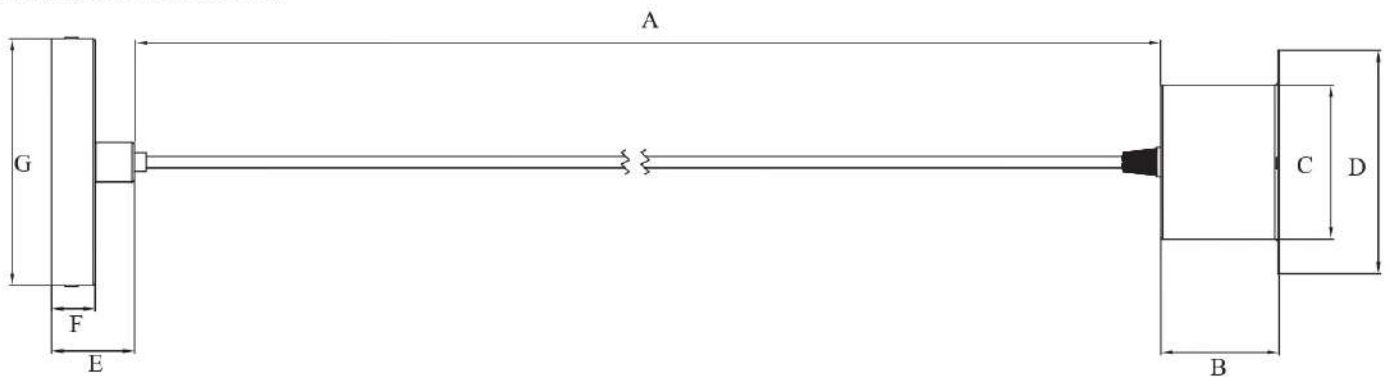
Before you begin, read these instructions completely and carefully.

- Be certain electrical power is OFF before and during installation, maintenance and removal.
- Luminaire wiring must be properly grounded in accordance with the NEC and any applicable local code requirements.
- Use only UL or IEC approved wire for input/output connections.
- Verify that supply voltage matches voltage on luminaire label. Installation to any other connection may void the warranty.
- Wear gloves during installation to prevent injury and do not expose wiring to metal or sharp edges.
- Do not install in areas subject to combustible vapors or gases. Verify luminaire location ratings are suitable for installation environment (refer to specification sheet as needed).
- Do not restrict luminaire's ventilation by covering with material that will cause luminaire to overheat and potentially shorten the lifespan.
- Ensure LED luminaire has the correct polarity before installation.



WARNING: To reduce the risk of personal injury or property damage from fire, electrical shock, abrasions, burns and all other hazards, read all provided warnings and follow installation instructions. This product should be installed, inspected and maintained by a qualified electrician. Installation of luminaire must be in accordance with NEC and local code requirements.

DIMENSION



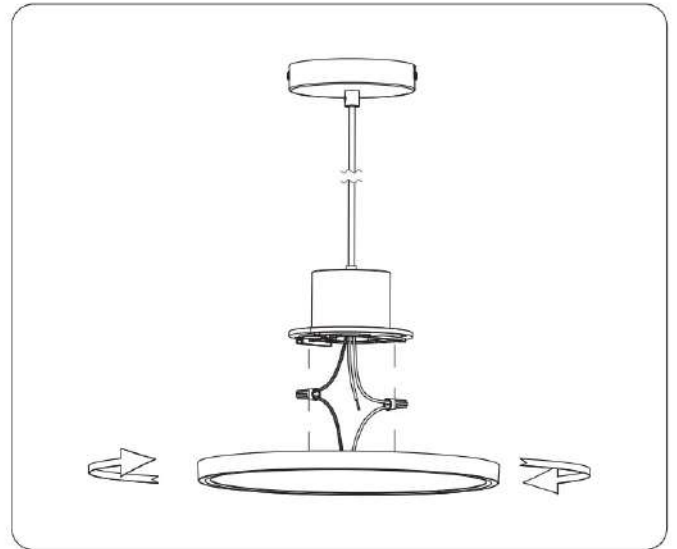
Dimension(Inch)	A	B	C	D	E	F	G
P21 (1.5m)	1500mm	60mm	78mm	113mm	42mm	22mm	125mm
P21 (3m)	3000mm	60mm	78mm	113mm	42mm	22mm	125mm

 X 1PCS	 X 3PCS	 X 3PCS	 X 2PCS
------------	------------	------------	------------

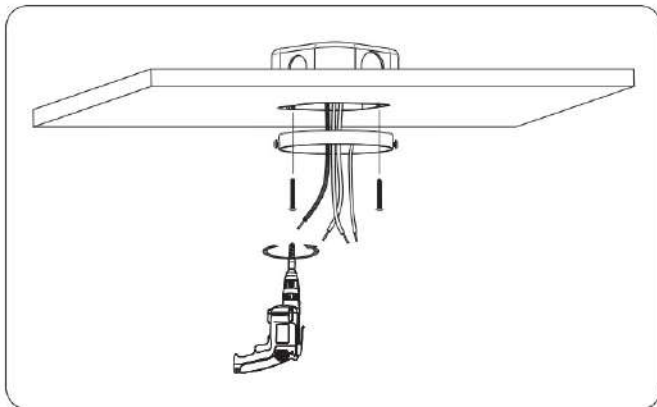
Installation Diagram



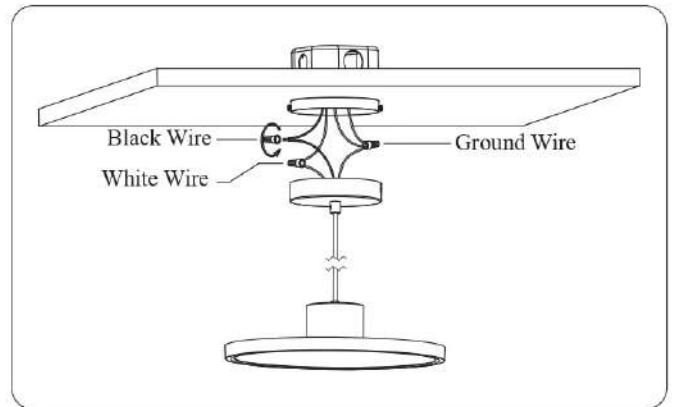
1. Then secure the mounting bracket of lamp to the pendant kit by using the screws in the accessory pack.



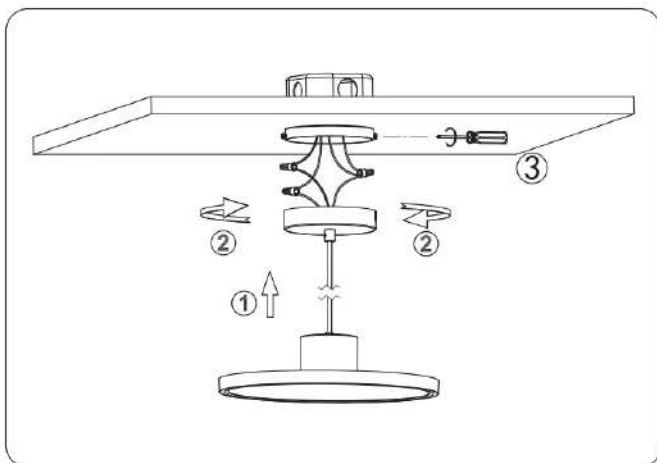
2. Use wire nuts to connect the L wire, N wire, and ground wire of the lamp with those of the hanging cable. Align the lamp's locking slots with the mounting bracket clips, then push the lamp toward the mounting bracket and rotate it until it is fully fixed onto the mounting bracket.



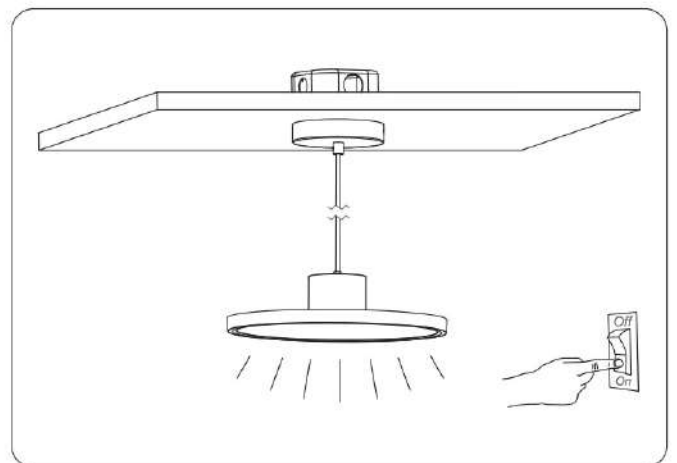
3. Cut off the main power supply. Then secure the ceiling canopy of pendant kit to the J-box by using the screws in the accessory pack.



4. Use the wire nut provided in the accessory pack to connect the power cord of the fixture and the J-box.



5. Route all wires into the J-box. Align the L-shaped slot on the side of the ceiling canopy with the pre-installed screws on the mounting bracket. Push the canopy upward toward the ceiling (1) and rotate it in the direction of the arrow (2) until it is fully engaged and securely locked onto the mounting bracket. Tighten the side screws of the mounting bracket (3).



6. Check the reliability of installation. Turn on the power, ensure the lamp operates correctly, then complete the installation.