


INSTALLATION MANUAL: SLIM SURFACE MOUNT LED LIGHT

IMPORTANT SAFETY PRECAUTIONS

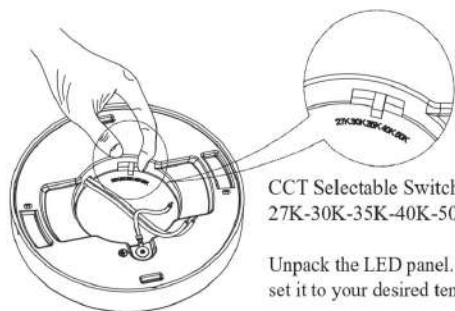
SIZE: 5"

- Ensure power is turned OFF at the circuit breaker before installation, maintenance, or removal.
- Wiring must comply with NEC and local electrical codes. Ensure the fixture is properly grounded.
- Use only UL or IEC-approved wire for input/output connections.
- Ensure input voltage matches the luminaire label. Incorrect voltage may void the warranty.
- Wear gloves during installation to prevent injury and avoid contact with sharp edges.
- Do not install in areas with combustible vapours or gases.
- Do not block the fixture's ventilation. Obstruction may cause overheating and reduce the fixture's lifespan.
- Ensure proper polarity before connecting LED wires.
- Installation by a licensed electrician is recommended.



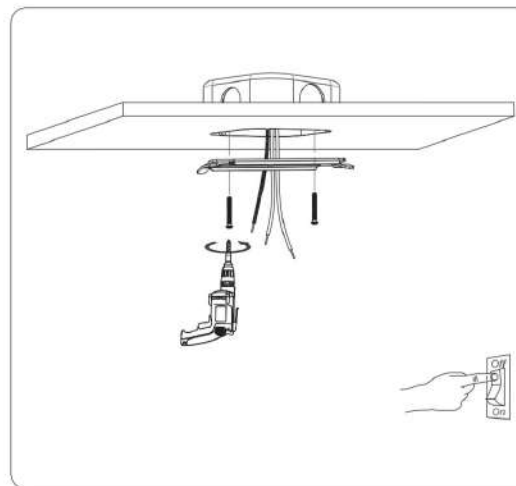
WARNING: To reduce the risk of personal injury or property damage from fire, electrical shock, abrasions, burns and all other hazards, read all provided warnings and follow installation instructions. This product should be installed, inspected and maintained by a qualified electrician. Installation of luminaire must be in accordance with NEC and local code requirements.

PACKAGE CONTENTS

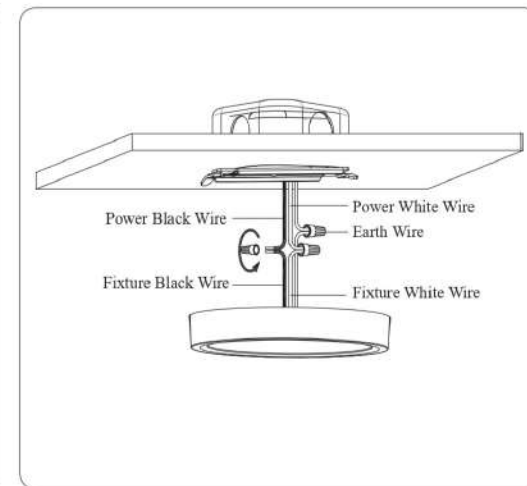


CCT Selectable Switch
27K-30K-35K-40K-50K

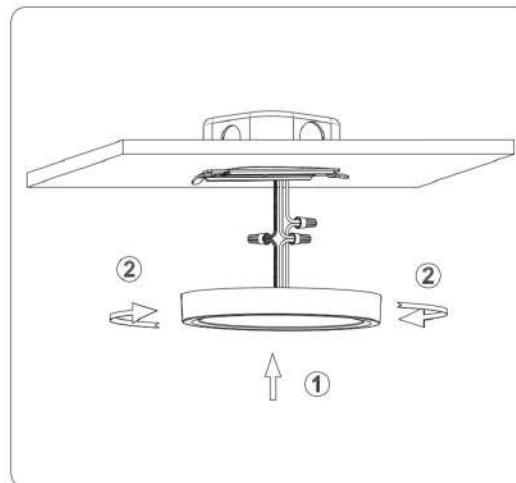
Unpack the LED panel. If it has a CCT (Correlated Colour Temperature) selector switch, set it to your desired temperature (2700K–5000K). Do not adjust the CCT after powering on.



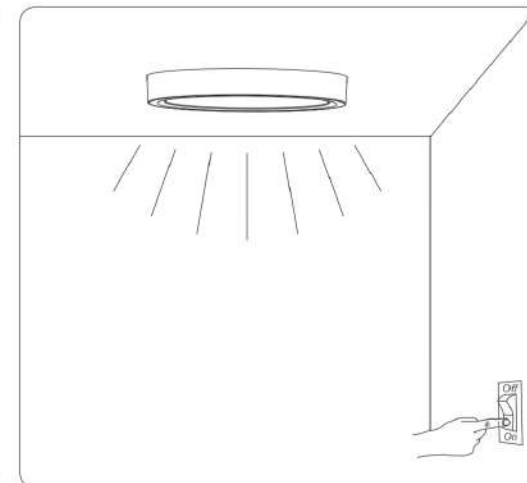
1. Cut off the main power supply. Then secure the mounting bracket to the J-box by using the screws in the accessory pack.



2. Use the wire nut provided in the accessory kit to connect the power cord of the fixture and the J-box.



3. Carefully place all the wires into the J-box. Align the fixture's locking slots with the mounting bracket clips, then push the fixture upward toward the ceiling in the direction of the arrow and rotate it until it is fully fixed onto the mounting bracket.



4. With the power on, turn on the switch to ensure the lamp works normally and complete the installation.

INSTALLATION MANUAL: SLIM SURFACE MOUNT LED LIGHT

IMPORTANT SAFETY PRECAUTIONS

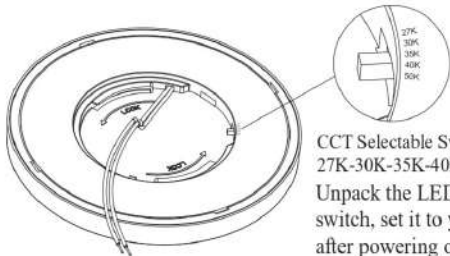
SIZE: 7"/9"/12"/16"

- Ensure power is turned OFF at the circuit breaker before installation, maintenance, or removal.
- Wiring must comply with NEC and local electrical codes. Ensure the fixture is properly grounded.
- Use only UL or IEC-approved wire for input/output connections.
- Ensure input voltage matches the luminaire label. Incorrect voltage may void the warranty.
- Wear gloves during installation to prevent injury and avoid contact with sharp edges.
- Do not install in areas with combustible vapours or gases.
- Do not block the fixture's ventilation. Obstruction may cause overheating and reduce the fixture's lifespan.
- Ensure proper polarity before connecting LED wires.
- Installation by a licensed electrician is recommended.



WARNING: To reduce the risk of personal injury or property damage from fire, electrical shock, abrasions, burns and all other hazards, read all provided warnings and follow installation instructions. This product should be installed, inspected and maintained by a qualified electrician. Installation of luminaire must be in accordance with NEC and local code requirements.

PACKAGE CONTENTS



CCT Selectable Switch
27K-30K-35K-40K-50K

Unpack the LED panel. If it has a CCT (Correlated Colour Temperature) selector switch, set it to your desired temperature (2700K-5000K). Do not adjust the CCT after powering on.

Remark: The appearance of the lamps is subject to the model No.



X 1PCS

Remark: The appearance of mounting bracket is subject to the model No.



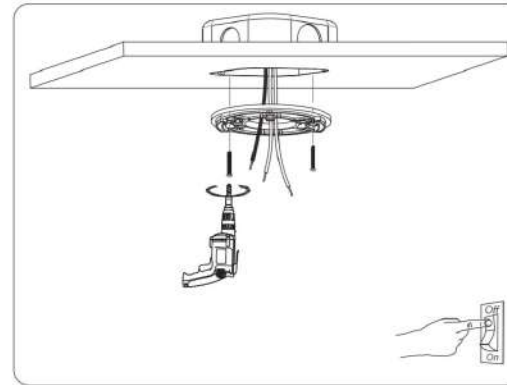
X 1PCS



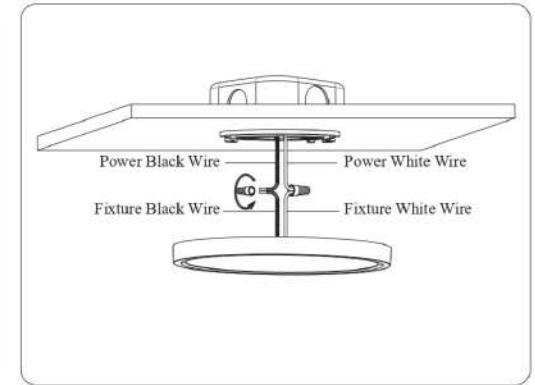
X 3PCS



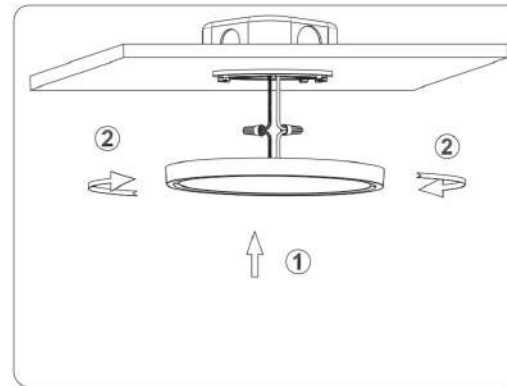
X 2PCS



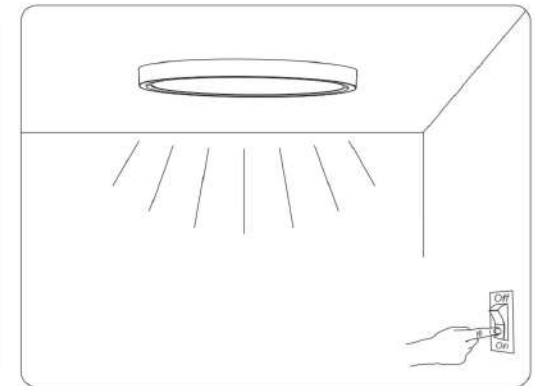
1. Cut off the main power supply. Then secure the mounting bracket to the J-box by using the screws in the accessory pack.



2. Use the wire nut provided in the accessory kit to connect the power cord of the fixture and the J-box.



3. Carefully place all the wires into the J-box. Align the fixture's locking slots with the mounting bracket clips, then push the fixture upward toward the ceiling in the direction of the arrow and rotate it until it is fully fixed onto the mounting bracket.



4. With the power on, turn on the switch to ensure the lamp works normally and complete the installation.

LIGHTING
SPOT26