

# INSTALLATION MANUAL

## IMPORTANT SAFETY PRECAUTIONS

Before you begin, read these instructions completely and carefully.

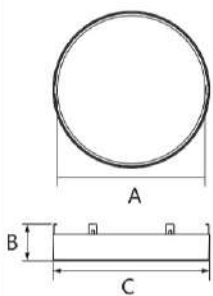
- Be certain electrical power is OFF before and during installation, maintenance and removal.
- Luminaire wiring must be properly grounded in accordance with the NEC and any applicable local code requirements.
- Use only UL or IEC approved wire for input/output connections.
- Verify that supply voltage matches voltage on luminaire label. Installation to any other connection may void the warranty.
- Wear gloves during installation to prevent injury and do not expose wiring to metal or sharp edges.
- Do not install in areas subject to combustible vapors or gases. Verify luminaire location ratings are suitable for installation environment (refer to specification sheet as needed).
- Do not restrict luminaire's ventilation by covering with material that will cause luminaire to overheat and potentially shorten the life span.
- Ensure LED luminaire has the correct polarity before installation.
- To clean, wipe fixture with a damp soft cloth. Then dry immediately with a dry soft cloth. Clean glass with a mild soap. DO NOT use chemical cleaners or abrasive materials such as scouring pads or powders, steel wool or abrasive paper
- The device complies with Part 15 of the FCC Rules. Operation is subject to the following two conditions.
  - 1) This device may not cause harmful interference.
  - 2) This device must accept any interference received, including interference that may cause undesired operation.



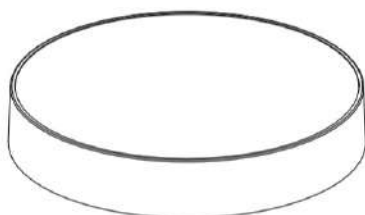
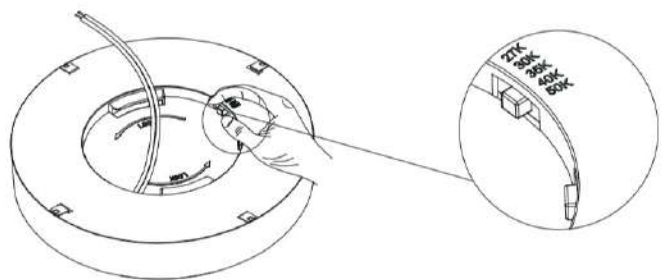
**WARNING:** To reduce the risk of personal injury or property damage from fire, electrical shock, falling parts, abrasions, burns and all other hazards, read all provided warnings and follow installation instructions.

This product should be installed, inspected and maintained by a qualified and licensed electrician. Installation of luminaire must be in accordance with NEC and local code requirements.

## DIMENSION



Dimension(mm)	A	B	C
6"	152.1mm	41.8mm	159.5mm
8"	196.5mm	44.8mm	204.2mm
11"	273.8mm	44.75mm	281.5mm



X 1PCS



X 1PCS

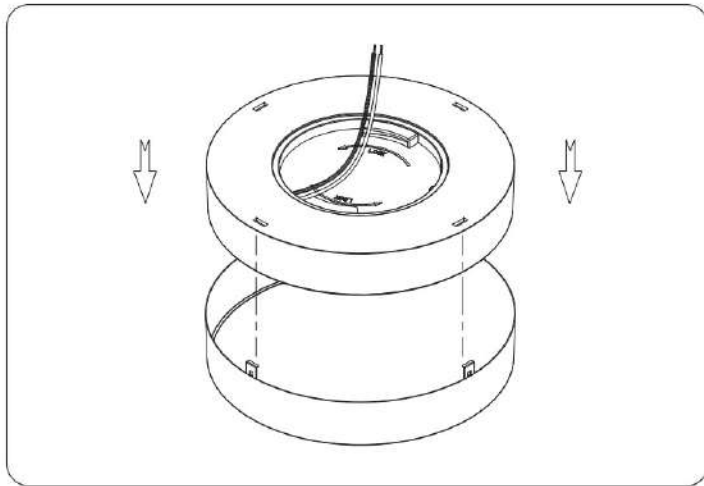


X 3PCS

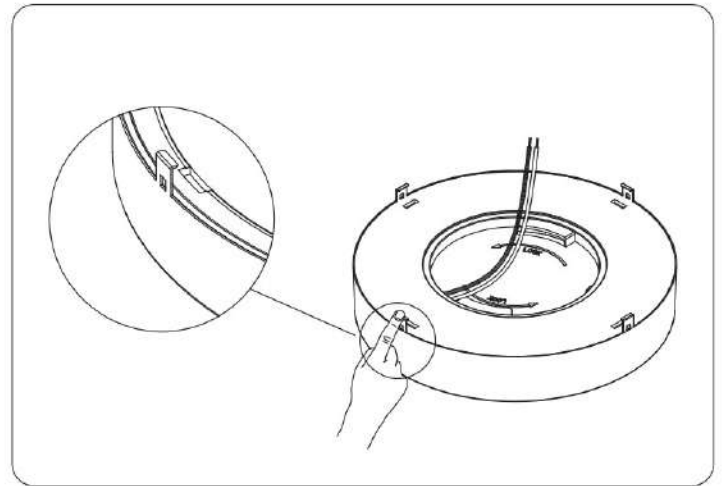


X 3PCS

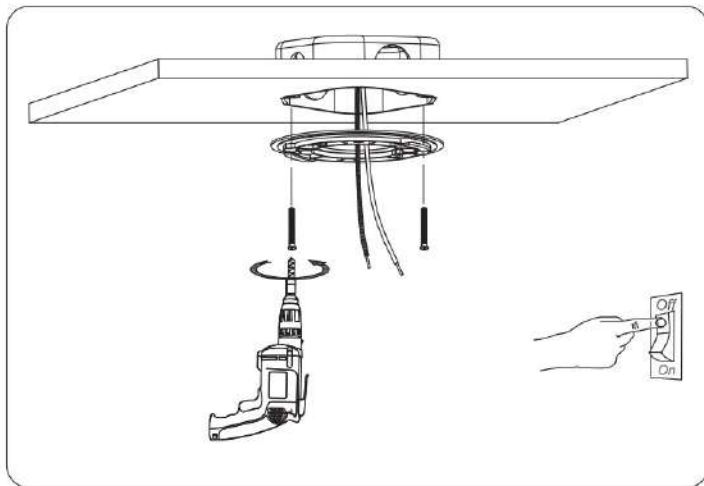
# INSTALLATION



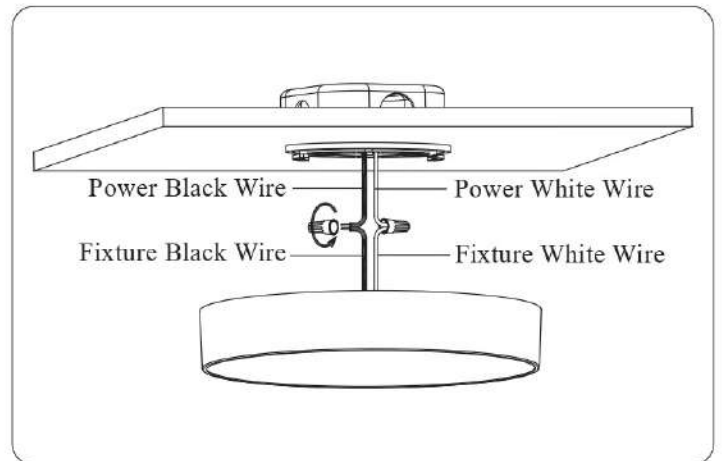
1. Align the grooves of the lamps with the decorative trims clips, and then install the lamps into the decorative trim.



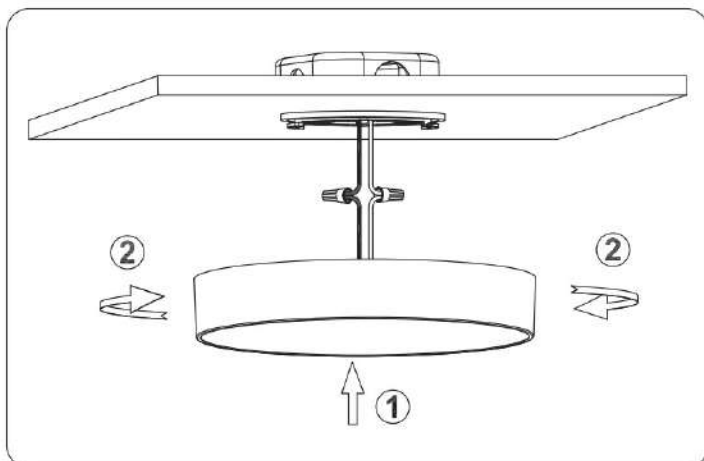
2. Snap on the clips into the lamp's groove.



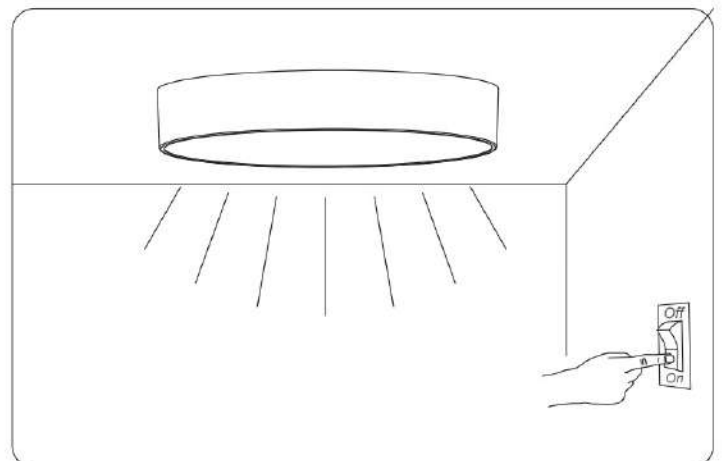
3. With Power OFF, screw the bracket into the ceiling with the provided screws.



4. Make wiring connections with wiring nuts



5. Carefully place all the wires into the J-box. Align the fixture's locking slots with the mounting bracket clips, then push the fixture upward toward the ceiling in the direction of the arrow and rotate it until it is fully fixed onto the mounting bracket.



6. With the power on, turn on the switch to ensure the lamp works normally.