

# INSTALLATION MANUAL

## IMPORTANT SAFETY PRECAUTIONS

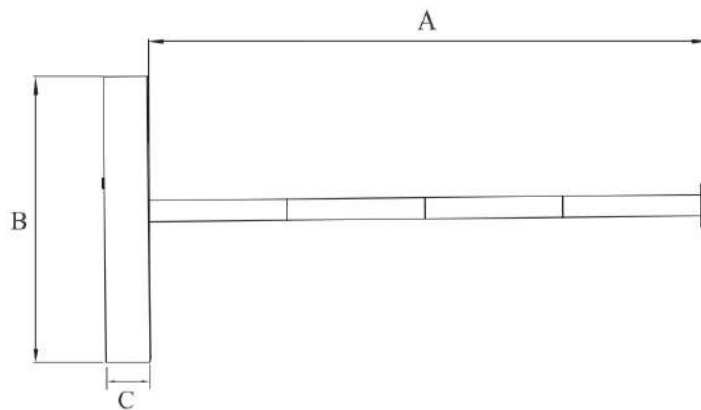
Before you begin, read these instructions completely and carefully.

- Be certain electrical power is OFF before and during installation, maintenance and removal.
- Luminaire wiring must be properly grounded in accordance with the NEC and any applicable local code requirements.
- Use only UL or IEC approved wire for input/output connections.
- Verify that supply voltage matches voltage on luminaire label. Installation to any other connection may void the warranty.
- Wear gloves during installation to prevent injury and do not expose wiring to metal or sharp edges.
- Do not install in areas subject to combustible vapors or gases. Verify luminaire location ratings are suitable for installation environment (refer to specification sheet as needed).
- Do not restrict luminaire's ventilation by covering with material that will cause luminaire to overheat and potentially shorten the lifespan.
- Ensure LED luminaire has the correct polarity before installation.



**WARNING:** To reduce the risk of personal injury or property damage from fire, electrical shock, abrasions, burns and all other hazards, read all provided warnings and follow installation instructions. This product should be installed, inspected and maintained by a qualified electrician. Installation of luminaire must be in accordance with NEC and local code requirements.

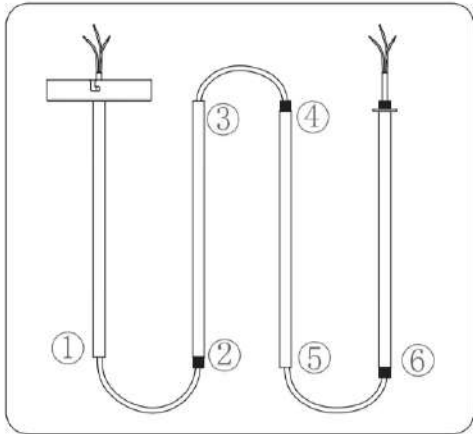
## DIMENSION



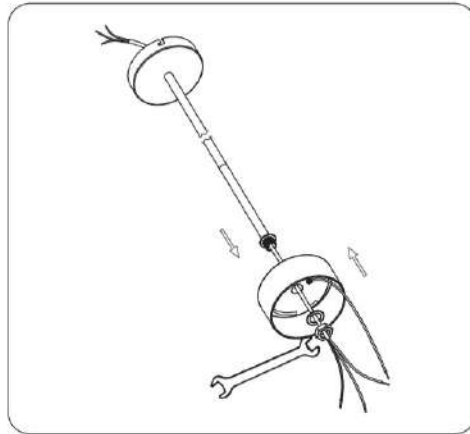
Dimension(Inch)	A	B	C
	1220mm	125mm	25mm

X 1PCS 	X 3PCS 	X 3PCS 
------------	------------	------------

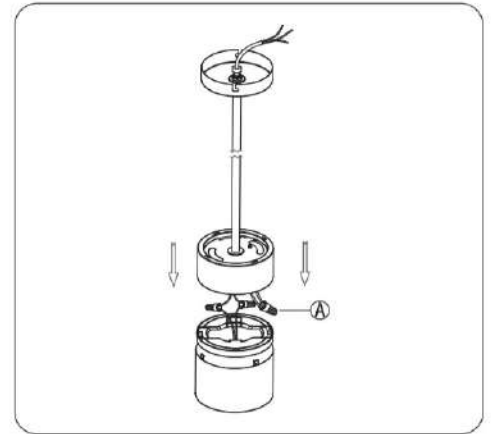
## INSTALLATION INSTRUCTIONS:



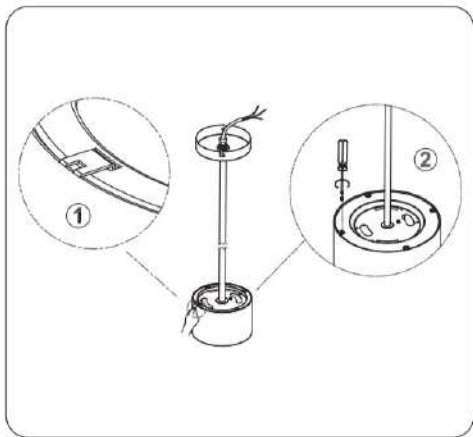
1. Tighten the hollow tubes in sequence according to the numbers (1, 2, 3, 4, 5, 6).



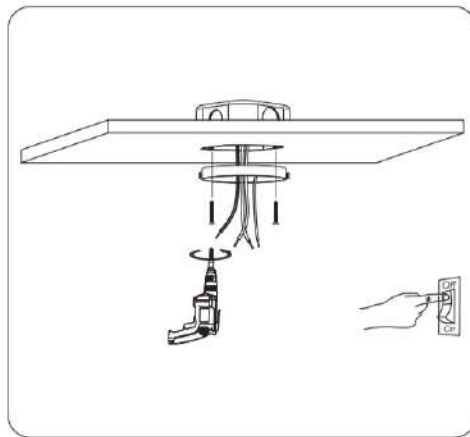
2. Pass the hanging wire through the inner liner, use a nut to lock the hollow tube and the inner liner with a wrench (tool to be prepared by oneself), and use a screw to fasten the hanging ground wire to the inner liner.



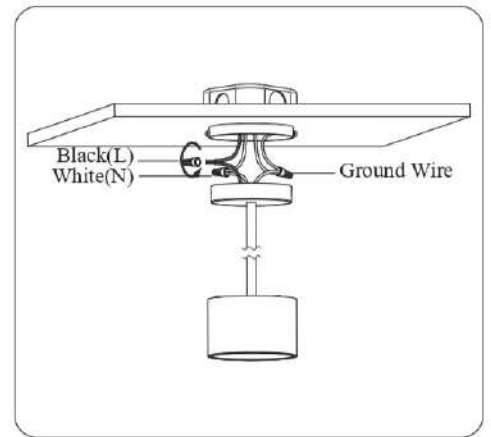
3. Use the wire nuts to connect the L/N Line of the lamp and trim accessory. Connect the earth wire to the position A if there is earth wire on the lamp.



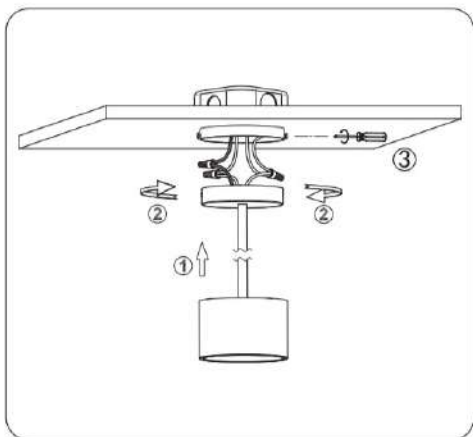
4. Press the clips of the trim into the slots on the lamp by finger or tool. For some model, this position requires screws. (As shown at the right diagram)



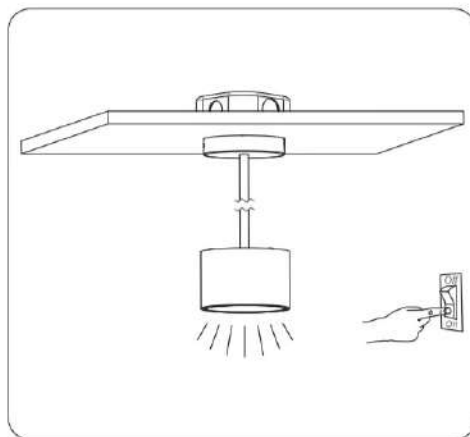
5. Cut off the main power supply. Use the screws in the accessory pack to secure the mounting bracket onto the junction box.



6. Use wiring nuts to connect the luminaire Live (L), Neutral (N), and earth wire to the corresponding Live (L), Neutral (N) and earth wires from the junction box.



7. Route all wires into the junction box. Align the L-shaped slot on the side of the ceiling canopy with the pre-installed screws on the mounting bracket. Push the canopy upward toward the ceiling (1) and rotate it in the direction of the arrow (2) until it is fully engaged and securely locked onto the mounting bracket. Tighten the side screws of the mounting bracket (3).



8. Turn on the power. Ensure the lamp operates correctly, then complete the installation.