

148 mm

210 mm

INSTALLATION MANUAL

IMPORTANT SAFETY PRECAUTIONS

LIGHTING
SPOT26

Before you begin, read these instructions completely and carefully.

- Be certain electrical power is OFF before and during installation, maintenance and removal.
- Luminaire wiring must be properly grounded in accordance with the NEC and any applicable local code requirements.
- Use only UL or IEC approved wire for input/output connections.
- Verify that supply voltage matches voltage on luminaire label. Installation to any other connection may void the warranty.
- Wear gloves during installation to prevent injury and do not expose wiring to metal or sharp edges.
- Do not install in areas subject to combustible vapors or gases. Verify luminaire location ratings are suitable for installation environment (refer to specification sheet as needed).
- Do not restrict luminaire's ventilation by covering with material that will cause luminaire to overheat and potentially shorten the lifespan.
- Ensure LED luminaire has the correct polarity before installation.



WARNING: To reduce the risk of personal injury or property damage from fire, electrical shock, abrasions, burns and all other hazards, read all provided warnings and follow installation instructions. This product should be installed, inspected and maintained by a qualified electrician. Installation of luminaire must be in accordance with NEC and local code requirements.

PACKAGE CONTENTS



CCT Tunable Switch
27K-30K-35K-40K-50K

If the one is CCT & Power switchable lamp pls select the proper CCT/Wattage by adjusting the dial switch before installation.



X 1PCS



X 1PCS



X 3PCS



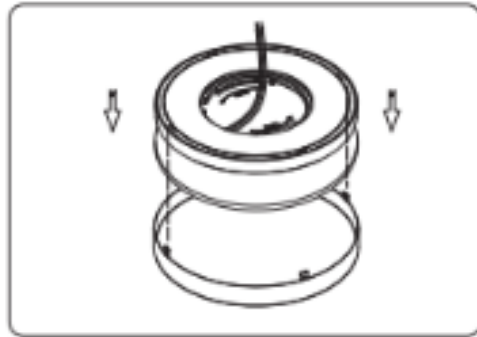
X 3PCS

148 mm

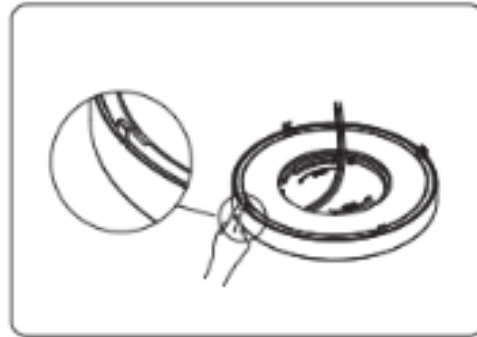
210 mm

LIGHTING SPOT²⁶

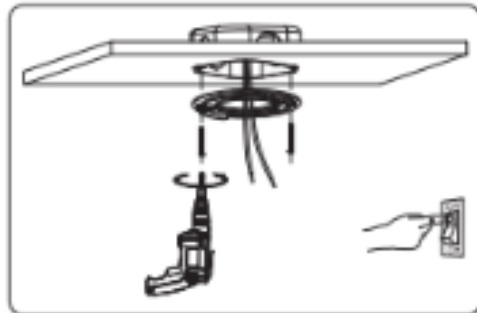
INSTALLATION



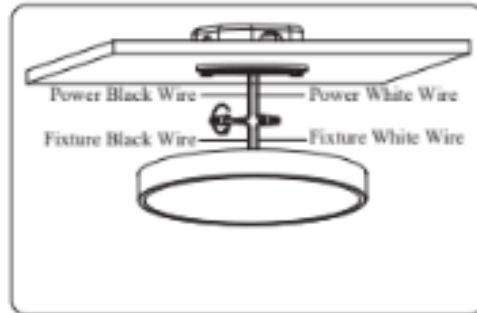
1. Align the grooves of the lamps with the decorative trim clips, and then install the alabaster and the lamps into the decorative trim one by one.



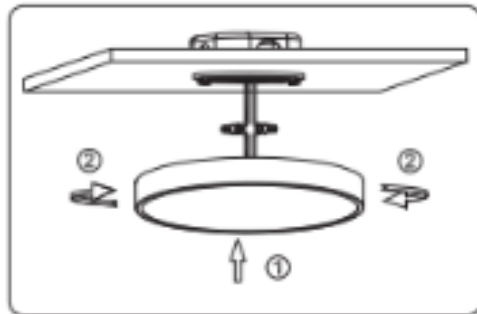
2. Snap on the clips into the lamp's groove.



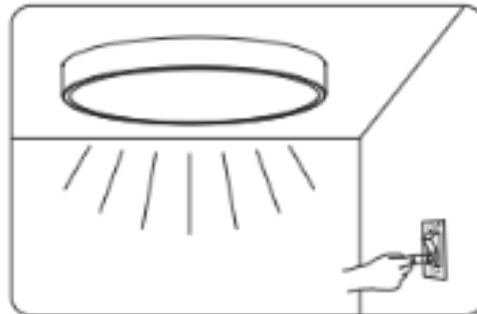
3. With Power OFF, screw the bracket into the ceiling with the provided screws.



4. Make wiring connections with wiring nuts.



5. Carefully place all the wires into the J-box. Align the fixture's locking slots with the mounting bracket clips, then push the fixture upward toward the ceiling in the direction of the arrow and rotate it until it is fully fixed onto the mounting bracket.



6. With the power on, turn on the switch to ensure the lamp works normally.